

# 6-PORT CYLINDER REGULATOR

EN

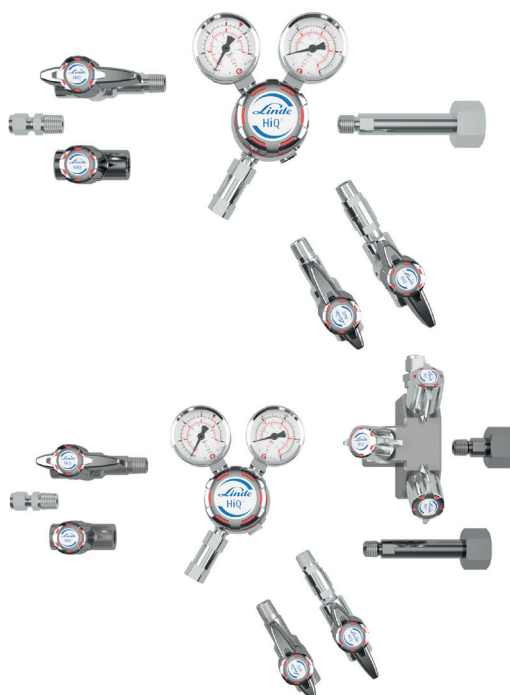
# 6-PORT FLASCHENDRUCKREGLER

DE

C300 | C200 | C60

BRASS CHROME PLATED AND STAINLESS STEEL | SINGLE AND DUAL STAGE  
MESSING VERCHROMT UND EDELSTAHL | EINSTUFIG UND ZWEISTUFIG

INSTRUCTION FOR USE  
GEBRAUCHSANLEITUNG



**IMPORTANT!**

Read carefully before use! Keep the manual for future consultation!

**WICHTIG!**

Vor Gebrauch sorgfältig lesen!

Bewahren Sie die Gebrauchsanweisung für späteres Nachschlagen auf!



# CONTENT

## 1 General

1.1 Information about this instructions manual.....	4
1.2 Information about this cylinder regulator.....	4
1.3 Explanation of symbols.....	5
1.4 Limitations of liability.....	6
1.5 Copyright.....	6
1.6 Spare parts.....	6
1.7 Warranty provision.....	6
1.8 Customer service.....	6

EN

## 2 Safety

2.1 Intended use.....	6
2.1.1 Structural changes at the cylinder regulator.....	7
2.2 Fundamental risks.....	7
2.3 Operator's responsibility.....	8
2.4 Personnel requirements.....	9
2.4.1 Qualifications.....	9
2.4.2 Unauthorized personnel.....	9
2.4.3 Training.....	9
2.5 Personal protective equipment.....	10
2.6 Behavior in case of fire or accident.....	11
2.7 Environmental protection.....	11
2.8 Signage.....	11
2.8.1 Signs that give orders.....	11
2.8.2 Signs indicating bans.....	11
2.8.3 Warning signs.....	11

## 3 Technical specifications.....

3.1 Flow Scheme – Single stage versions.....	12
C300/1   C200/1   C60/1.....	12
C300/1 A   C200/1 A   C60/1 A.....	12
C300/1 B   C200/1 B   C60/1 B.....	12
C300/1 P   C200/1 P   C60/1 P.....	13
C200/1 DP.....	13
C200/1 TP.....	13
C200/1 TPA.....	14
C200/1 TPB.....	14
C200/1 EP.....	14
C200/1 EPA.....	15
C200/1 EPB.....	15
3.2 Flow scheme – Dual stage versions.....	15
C300/2   C200/2.....	15
C300/2 A   C200/2 A.....	16
C300/2 B   C200/2 B.....	16
C300/2 P   C200/2 P.....	16
C200/2 DP.....	17
C200/2 TP.....	17
C200/2 TPA.....	17
C200/2 TPB.....	18
C200/2 EP.....	18
C200/2EPA.....	18
C200/2EPB.....	19
3.3 Dimension sheet.....	19
SINGLE STAGE.....	19
VERSION A   SINGLE STAGE.....	19
VERSION B   SINGLE STAGE.....	20
VERSION P   SINGLE STAGE.....	20
VERSION DP   SINGLE STAGE.....	20
DUAL STAGE.....	20

- VERSION A | DUAL STAGE.....21
- VERSION B | DUAL STAGE.....21
- VERSION P | DUAL STAGE.....21
- VERSION DP | DUAL STAGE.....21
- VERSION TP | SINGLE STAGE.....22
- VERSION TPA | SINGLE STAGE.....22
- VERSION TPB | SINGLE STAGE.....22
- VERSION TP | DUAL STAGE.....23
- VERSION TPA | DUAL STAGE.....23
- VERSION TPB | DUAL STAGE.....23
- VERSION EP SINGLE STAGE.....24
- VERSION EPA SINGLE STAGE.....24
- VERSION EPB SINGLE STAGE.....24
- VERSION EP DUAL STAGE.....25
- VERSION EPA DUAL STAGE.....25
- VERSION EPB DUAL STAGE.....25
- 3.4 General information.....26
- 3.5 Connection values.....26
- 3.6 Performance value.....26
- 3.7 Operating conditions.....26
- 4 Set-up and function.....27
  - 4.1 Set-up - brass chrome plated version.....27
  - 4.2 Set-up - stainless steel version.....27
  - 4.3 Brief description.....27
- 5 Transport, packaging and storage.....28
  - 5.1 Safety information for transportation.....28
  - 5.2 Transport inspection.....28
  - 5.3 Packaging.....28
  - 5.4 Storage.....28
- 6 Installation and initial start-up.....29
  - 6.1 Safety notes for installation and initial start-up.....29
  - 6.2 Preparation.....29
  - 6.3 Installation.....29
    - 6.3.1 Preparation.....30
    - 6.3.2 Connecting of gas cylinder.....30
  - 6.4 Required qualifications for initial start-up and cylinder changing.....30
  - 6.5 Initial Start Up.....30
    - 6.5.1 Fill the process gas tubing with process gas.....30
    - 6.5.2 Cylinder change.....30
    - 6.5.3 Taking gas supply out of operation.....31
  - 6.6 Tests.....32
- 7 Operation.....32
- 8 Maintenance.....33
  - 8.1 Safety notes for maintenance.....33
  - 8.2 Maintenance plan.....33
  - 8.3 Maintenance work.....33
    - 8.3.1 Cleaning.....33
    - 8.3.2 Requirements for maintenance.....33
    - 8.3.3 Necessary maintenance.....33
  - 8.4 Measures following maintenance.....34
- 9 Troubleshooting.....34
  - 9.1 Safety notes for troubleshooting.....34
- 10 Dismantling and disposal.....36
  - 10.1 Safety notes for dismantling and disposal.....36
  - 10.2 Dismantling.....36
  - 10.3 Disposal.....37

# ENGLISH

## INSTRUCTION FOR USE: 6-PORT CYLINDER REGULATOR

### 1. GENERAL

EN

#### 1.1 INFORMATION ABOUT THIS INSTRUCTIONS MANUAL

This instruction is only intended for use with cylinder regulator product type:

- C300/1, C300/2
- C200/1, C200/2
- C60/1

Cylinder regulator of this type is suitable to connect to gas cylinder directly and reduce cylinder pressure to lower outlet pressures. The cylinder connections have, due to several directives (DIN 477, CGA, AFNOR, etc.) and due to gas type, different threads. Please note!

This instruction enables you to operate the system safely and efficiently. These instructions form an integral part of the system and must always be kept with the system and within easy reach of staff at all times.

Prior to commencing any work, the staff must read these instructions carefully and understand the contents.

Observance of all the safety information and instructions for operation that are contained in these instructions is essential to ensure work safety.

Local accident prevention regulations and general safety regulations governing the use of the system must also be observed.

Illustrations in these instructions serve to ensure a basic understanding of the system and may differ from the actual version.

#### 1.2 INFORMATION ABOUT THIS CYLINDER REGULATOR

Cylinder Regulators of this type are only suitable for gases defined as standard gas.

The maximum working pressure for C300 is 300 bar, for C200 200 bar, for C60 60 bar.

Product Line	(Purity 6.0   brass chrome plated)	(Purity 6.0   stainless steel)
with <b>FKM</b> Relief Valve Seat	<ul style="list-style-type: none"> <li>• Suitable Gases (including their mixtures):               <ul style="list-style-type: none"> <li>• High Purity</li> <li>• Inert</li> <li>• Flammable</li> <li>• Oxidizing</li> <li>• Use for O<sub>2</sub></li> </ul> </li> <li>• Not Suitable Gases (including their mixtures):               <ul style="list-style-type: none"> <li>• Corrosive</li> <li>• Toxic</li> <li>• CO<sub>2</sub>, N<sub>2</sub>O</li> </ul> </li> </ul>	<ul style="list-style-type: none"> <li>• Suitable Gases (including their mixtures):               <ul style="list-style-type: none"> <li>• High Purity</li> <li>• Inert</li> <li>• Flammable</li> <li>• Oxidizing (up to 200bar)</li> <li>• Corrosive (in doubt ask)</li> <li>• Toxic (in doubt ask)</li> <li>• O<sub>2</sub> up to 200 bar</li> </ul> </li> <li>• Not Suitable Gases (including their mixtures):               <ul style="list-style-type: none"> <li>• O<sub>2</sub> over 200 bar</li> <li>• CO<sub>2</sub>, N<sub>2</sub>O</li> <li>• NH<sub>3</sub>, SO<sub>2</sub>, H<sub>2</sub>S</li> </ul> </li> </ul>
with <b>EPDM</b> Relief Valve Seat	<ul style="list-style-type: none"> <li>• Suitable Gases (including their mixtures):               <ul style="list-style-type: none"> <li>• High Purity</li> <li>• Inert</li> <li>• Flammable</li> <li>• Oxidizing</li> <li>• Use for CO<sub>2</sub>, N<sub>2</sub>O</li> </ul> </li> <li>• Not Suitable Gases (including their mixtures):               <ul style="list-style-type: none"> <li>• Corrosive</li> <li>• Toxic</li> <li>• O<sub>2</sub> (Share greater than 21%)</li> <li>• Hydrocarbons</li> </ul> </li> </ul>	<ul style="list-style-type: none"> <li>• Suitable Gases (including their mixtures):               <ul style="list-style-type: none"> <li>• High Purity</li> <li>• Inert</li> <li>• Flammable</li> <li>• Oxidizing</li> <li>• Corrosive (in doubt ask)</li> <li>• Toxic (in doubt ask)</li> <li>• Use for CO<sub>2</sub>, N<sub>2</sub>O</li> <li>• Use for NH<sub>3</sub>, SO<sub>2</sub>, H<sub>2</sub>S</li> </ul> </li> <li>• Not Suitable Gases (including their mixtures):               <ul style="list-style-type: none"> <li>• O<sub>2</sub> (Share greater than 21%)</li> <li>• Hydrocarbons</li> </ul> </li> </ul>

This table is not exhaustive. For questions and ambiguities please contact manufacturer.

There are single and dual stage cylinder regulator with metal diaphragm and 6 ports

Created and approved as ISO7291, including oxygen test, (see table chapter 1.2).

This cylinder regulator consists of regulator body, inlet and outlet gauge, cylinder connection and pressure relief valve. It is available with several outlet connections and/ or several additional components:

- Shut off valve at outlet (A)
- Regulating valve at outlet (B)
- Purge valve at inlet (P)
- Purge Valve at outlet (DP)
- Inert gas purge valve at inlet (TP)
- Inert gas purge valve at inlet and shut off valve at outlet (TPA), only with stainless steel version
- Inert gas purge valve at inlet and regulating valve at outlet (TPB), only with stainless steel version
- Triple purge block at inlet (EP), only with stainless steel version
- Triple purge block at inlet and shut of valve at outlet (EPA), only with stainless steel version
- Triple purge block at inlet and regulating valve at outlet (EPB), only with stainless steel version

The versions **C200/1 TP**, **C200/1 TPA**, **C200/1 TPB**, **C200/2 TP**, **C200/2 TPA** and **C200/2 TPB** allow purging of regulator with purge gas. The versions C200/1 EP, C200/1 EPA and C200/ EPB allow purging of regulator with triple purge block. These versions are especially suitable for corrosive and toxic gases.

Cylinder regulator with triple purge block enables the drying of the regulator and the removing of moist atmospheric air, which came inside the regulator before initial startup or at gas cylinder. The triple purge block version and the purge valve version enables also the purging of the regulator to clean it from toxic, corrosive or self-igniting gases before taking out of operation.

### 1.3 EXPLANATION OF SYMBOLS

<b>SAFETY INFORMATION</b>	Safety information is highlighted by symbols in these instructions. This safety information is preceded by signal words that define the extent of risk.
	<b>DANGER!</b>  This combination of symbol and signal word indicates an immediately dangerous situation that will cause death or severe injury if not avoided.
	<b>WARNING!</b>  This combination of symbol and signal word indicates a possibly dangerous situation that can cause death or severe injury if not avoided.
	<b>BEWARE!</b>  This combination of symbol and signal word indicates a possibly dangerous situation that can cause minor injury if not avoided.
	<b>NOTE!</b>  This combination of symbol and signal word indicates a possibly dangerous situation that can cause property and environmental damage if not avoided.
	<b>TIPS AND RECOMMENDATIONS</b>  This symbol highlights useful tips and recommendations, together with help for ensuring efficient and trouble-free operation.
<b>SPECIAL SAFETY INFORMATION</b>	The following symbols are used in the safety information to draw your attention to particular risks.
	<b>DANGER!</b>  This combination of symbol and signal word indicates an immediately dangerous situation involving electrical current. Ignoring such a warning could result in severe or fatal injuries.

## 1.4 LIMITATIONS OF LIABILITY

All of the information and notes in these instructions have been compiled in accordance with applicable standards and regulations. They reflect best engineering practice and our years of experience.

The manufacturer accepts no liability for damages in the following instances:

- Failure to observe these instructions
- Utilization of the system for any other than the intended purpose
- Operation by untrained staff
- Unauthorized modifications
- Technical modifications
- Use of unlicensed spare parts
- Working with the gas supply panel when any safety device is broken or not functional mounted or safety devices don't work correctly
- Improper control of components, connections and gaskets, which are wearing parts.
- Incorrect repairs
- Violation of temperature limits, which are dedicated in the datasheet during operation or storage
- In case of disaster or force majeure

The actual scope of supply may differ from the explanations and illustrations in these instructions following the incorporation of new technical changes. The obligations stipulated in the supply agreement, our general terms and conditions of business, the manufacturer's terms and conditions of supply and the statutory regulations in force at the time of contract conclusion apply.

## 1.5 COPYRIGHT

The contents of these instructions are protected by copyright. They may be used in connection with the operation of the system. Any other use above and beyond the aforementioned is only permitted with the written consent of the manufacturer.

## 1.6 SPARE PARTS



### WARNING!

- Risk of injury from using incorrect spare parts!
- The use of incorrect or defective spare parts can result in risks for the operating staff and in damages, malfunctions or total failure of the system.
- Only use original spare parts from the manufacturer or spare parts authorized by the manufacturer.
- Always consult the manufacturer if in doubt.



### LOSS OF WARRANTY

- The manufacturer's warranty lapses if unauthorized spare parts are used.

## 1.7 WARRANTY PROVISION

In principle, our "General Terms and Conditions of Sale and Delivery" shall apply. These are available to the customer at the latest since the conclusion of the contract.

## 1.8 CUSTOMER SERVICE

Please do not hesitate to provide us with information and experiences gained through use; we welcome any valuable input that will help to improve our products.

# 2. SAFETY

This section provides an overview of all the important safety aspects to ensure the protection of your staff and the safe and trouble-free operation of the equipment. Further safety information relating to specific tasks can be found in the sections on the individual life cycle phases.

## 2.1 INTENDED USE

The cylinder regulator C300, C200 and C60 are only usable for the defined standard gases and pressures observing the given temperature range. The nominal flow is according to ISO 2503 20 m<sup>3</sup>/h (Air). Intended use also includes compliance with all the information in these instructions and compliance with repair, maintenance working, type label and data sheets. Any use other than, or above and beyond, the intended use constitutes improper use.

**WARNING!**

- **Danger from improper use!**
- Improper use of the system can lead to dangerous situations.
- Never use the cylinder regulator with liquid fluids.
- Never use the cylinder regulator as a flow control element or as a shut-off valve.

**2.1.1. STRUCTURAL CHANGES AT THE CYLINDER REGULATOR**

Without written approval of manufacturer no extensions, additions or alternations are allowed on the cylinder regulator.

Cylinder regulators that are not in perfect condition must be replaced immediately

Cleaning of cylinder regulator and disposal of residues

Used components which are ready for reparation has to be purged with an inert gas (nitrogen) before.

Noise Generation

In some cases when specific influence quantities collaborate together, e.g. flow and pressure range can cause noise generation or the gas itself. If this happens please contact manufacturer.

**2.2 FUNDAMENTAL RISKS**

The following section addresses the residual risks that may arise, even if the system is used properly.

Observance of the safety information included below and in other sections of these instructions is mandatory in order to reduce the risk of injury and property damage and to avoid dangerous situations.

**DANGER!**

- **Gases can be life threatening!**
- Gases can supersede the oxygen in air. This can result in death by asphyxiation. Oxygen produces a strongly oxidizing effect.

*THEREFORE:*

- Sufficient ventilation is absolutely essential.
- Installation only through certified company.
- Observe ATEX directive

**ATTENTION!**

- **Risk of injury from environment!**
- There can be malfunctions on component due to condensation and/ or icing.

*THEREFORE:*

- Observe suitable temperatures.
- Protect component from liquids from outside
- Protect component from dust from outside
- Protect component from weather conditions
- Grounding has to be mounted properly

**WARNING!**

- **Risk of injury from using oil and grease!**
- Oil and grease must never be used in gas regulating systems. Oil and grease are highly inflammatory and can react violently to certain pressurized gases.

*THEREFORE:*

- Never use oil and grease

**WARNING!**

- **Risk of injury from residual energy stored in the system!**
- If handled incorrectly, pressurized components can move uncontrollably and cause severe injury. If handled incorrectly or defective, pressurized components can leak gas under high pressure and cause severe or even fatal injuries.

*BEFORE STARTING WORK WITH THESE COMPONENTS:*

- Installation only through certified company.
- Always wear protective goggles when working.
- Always wear ear protection.
- Make sure the equipment is depressurized. Also make sure the residual energy is discharged.
- Always ensure that gas cannot leak unintentionally.
- Make sure that defective components that are pressurized during operation are immediately replaced by trained staff.

**WARNING!**

- ***Danger of accident!***

Due to wrong installation there can be serious or even mortal injuries.

*THEREFORE:*

- During installation the component should be kept safe
- Never throw the component

Pressurised components are only for intended use.

If there are mechanical damages at tubing or components the whole system has to be put in a safe condition. Affected area has to be blocked. Troubles which could influence safety, have to be eliminated through qualified staff or supplier.

Especially with gases failure in pressure regulator could happen. Indications for defective regulator is no flow or immediately rising outlet pressure. In this case system has to be shut-off and the relevant department for maintenance has to be informed. Never close exhaust piping.

## 2.3 OPERATOR'S RESPONSIBILITY

*OPERATOR*

The operator is the person who operates the system for commercial or business purposes or who provides the system for use/application by a third party, and who bears legal product responsibility for protecting the user, staff or third parties during operation.

*OPERATOR'S DUTIES*

The system is used for commercial purposes. The operator of the system is therefore subject to legal work safety obligations.

Compliance with the safety, accident prevention and environmental protection regulations that apply for the use of the system is mandatory, in addition to the safety information in these instructions.

*THE FOLLOWING APPLIES IN PARTICULAR:*

- The operator must be aware of the applicable work safety regulations and must perform a risk assessment to identify risks that may occur as a result of the specific working conditions at the site where the system is operated. The operator must use this assessment as the basis for compiling instructions for operating the system.
- During the entire period in which the system is operated, the operator must ensure that these operating instructions comply with the latest regulations, and must update the instructions if necessary.
- The operator must assign clear and specific responsibility for installation, operation, troubleshooting, maintenance and cleaning.
- The operator must ensure that all members of staff who work with the system have read and understood these instructions. The operator must also ensure that these members of staff are trained at regular intervals and are aware of the risks.
- The operator must provide the staff with the requisite protective equipment and bindingly obligate the staff to wear the necessary protective equipment.

In addition, the operator is responsible for ensuring full technical reliability of the system at all times.

*AS SUCH, THE FOLLOWING APPLIES:*

- The operator must ensure compliance with the maintenance intervals specified in these instructions.
- The operator must ensure that all safety equipment is regularly inspected for functional reliability and completeness.



## 2.4 PERSONNEL REQUIREMENTS

### 2.4.1. QUALIFICATIONS

The various tasks described in these instructions constitute differing requirements in respect of the qualifications of the staff charged with performing these tasks.



#### WARNING!

- ***Danger if staff is insufficiently qualified!***
- Insufficiently qualified staff is not able to assess the risks associated with the system and expose both themselves and others to the risk of severe or fatal injury.
- Ensure that all works are only performed by staff qualified for the specific task.
- Keep insufficiently qualified people out of the work area.

The works must always be assigned only to individuals who can be trusted to perform the works reliably. People with impaired reactions, e.g. as a result of drugs, alcohol or medication, must not be allowed to perform works.

These instructions define the qualifications below that are necessary for the respective tasks:

#### *GAS ENGINEER:*

Have a professional training, skills and experience and the knowledge of the pertinent standards and regulations to perform works on gas systems and to identify potential hazards. Gas engineers are trained specifically for the site where they work and are familiar with all relevant standards and regulations.

#### *TECHNICIAN*

Have the professional training, skills and experience and the knowledge of the pertinent standards and regulations to perform the assigned works and to identify and avoid potential hazards.

### 2.4.2. UNAUTHORIZED PERSONNEL



#### WARNING!

- ***Risks associated with unauthorized personnel in the hazard and work areas can be life threatening!***
- Unauthorized individuals without the qualifications described in this section are not familiar with the risks in the work area. As such, they are in danger of severe or even fatal injury.
- Keep unauthorized personnel away from the hazard and work area.
- If in doubt, approach individuals and instruct them to leave the hazard and work area.
- Stop any work while unauthorized individuals are in the hazard and work area.

### 2.4.3. TRAINING

The owner must train the staff at regular intervals. A training log must be maintained for purposes of better tracking and must contain the following information, at least:

- Date of training
- Names of trained staff
- Contents of the training session
- Name of trainer
- Signatures of the staff members in training and of the trainer

## 2.5 PERSONAL PROTECTIVE EQUIPMENT

Personal protective equipment protects staff from safety and health hazards while working.

Various tasks on and associated with, the system necessitate the use of personal protective equipment, which is described in more detail in the individual sections of these instructions.

EN



### BREATHING APPARATUS

To protect against harmful gases, vapors, dust and similar materials and media. Breathing apparatus (e.g. compressed air respirator) must be used when an oxygen content of at least 17% in the ambient air is not guaranteed or when the limit of a hazardous substance in the ambient air is exceeded more than 100-fold. Breathing apparatus may only be worn by people who have been specially trained in the use.



### BREATHING APPARATUS, DEPENDENT ON AIR CIRCULATION

To protect against harmful gases, vapors, dust and similar materials and media. Breathing apparatus must be worn if a permissible limit is exceeded 100-fold. The breathing apparatus may only be used when the oxygen content in the ambient air measures at least 17%.



### PROTECTIVE GOGGLES

To protect the eyes against airborne parts and splashes of liquid.



### CHEMICAL-RESISTANT GLOVES

To protect the hands from aggressive substances. Make sure the protective gloves are leak-proof before wear. Dispose the gloves professionally after use.



### PROTECTIVE GLOVES

To protect the hands against abrasion, scrapes, pricks or deeper injuries and contact with hot or cold surfaces.



### EAR PROTECTION

To protect the ears from noise and prevent acoustic trauma.

## 2.6 BEHAVIOR IN CASE OF FIRE OR ACCIDENT

### PREVENTIVE MEASURE

- Always be prepared for fires and accidents!
- Always keep first aid equipment (kit, blankets, etc.) and fire extinguishing equipment in working order and close to hand.
- Familiarize the staff with accident reporting, first aid and emergency procedures.
- Keep the access routes free for emergency service vehicles.

### MEASURES IN THE EVENT OF FIRE OR ACCIDENT

- If there is no risk to your own safety, remove people from the danger zone.
- Administer first aid if necessary.
- Notify the fire brigade and/or emergency service.
- In the event of fire: If there is no risk to your own safety, use fire extinguishing equipment to fight the fire until the fire brigade arrives.
- Inform the person responsible at the location.
- Make sure the access routes are free for emergency service vehicles.
- Direct the emergency service vehicles.

## 2.7 ENVIRONMENTAL PROTECTION



### NOTE!

- **Risk of environmental pollution from incorrect handling of environmentally hazardous substances!**
- The environment can suffer substantial damage if environmentally hazardous substances are handled, and especially disposed of, incorrectly.
- Always observe the information below on handling environmentally hazardous substances and their disposal.
- Take immediate measures if environmentally hazardous substances are accidentally released into the environment. If in doubt, notify the responsible local authorities about the damage and enquire about the suitable measures to be taken.

## 2.8 SIGNAGE



### WARNING!

- **Danger from illegible signs!**
- Labels and signs can gather dirt or become otherwise illegible over time, thus preventing the recognition of risks and compliance with the requisite operating information. This could result in injury.
- Make sure all safety, warning and operation information is legible at all times.
- Immediately replace any damaged signs or labels.

### 2.8.1. SIGNS THAT GIVE ORDERS

- No signs

### 2.8.2. SIGNS INDICATING BANS

- No signs

### 2.8.3. WARNING SIGNS



GAS BOTTLES HAZARD



EXPLOSION - HAZARDOUS AREA



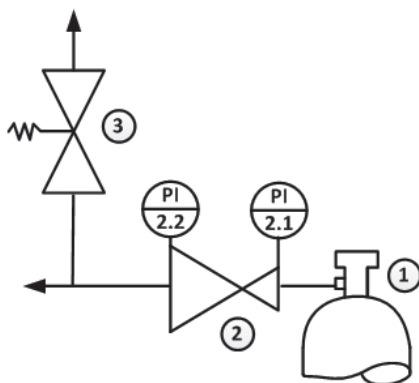
WARNING OF TOXIC AND/ OR CORROSIVE SUBSTANCES

### 3. TECHNICAL SPECIFICATIONS

#### 3.1 FLOW SCHEME – SINGLE STAGE VERSIONS

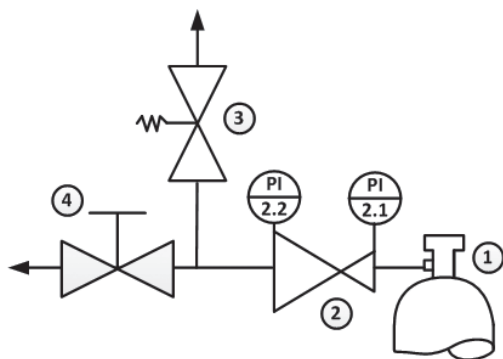
C300/1 | C200/1 | C60/1

EN



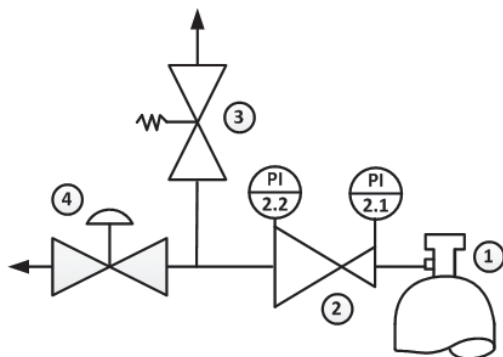
- 1 – GAS CYLINDER
- 2 – PRESSURE REGULATOR
- 3 – RELIEF VALVE

C300/1 A | C200/1 A | C60/1 A



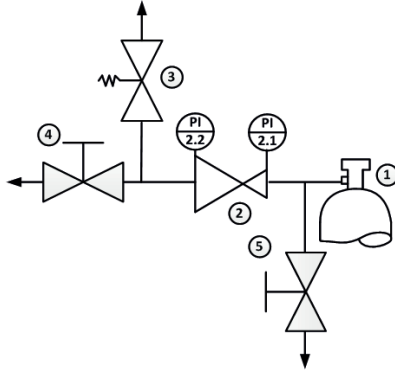
- 1 – GAS CYLINDER
- 2 – PRESSURE REGULATOR
- 3 – RELIEF VALVE
- 4 – SHUT-OFF VALVE

C300/1 B | C200/1 B | C60/1 B



- 1 – GAS CYLINDER
- 2 – PRESSURE REGULATOR
- 3 – RELIEF VALVE
- 4 – REGULATING VALVE

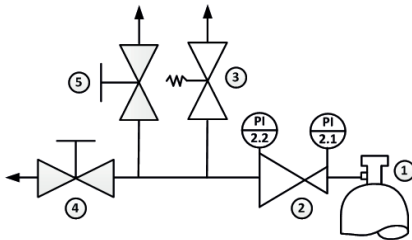
C300/1 P | C200/1 P | C60/1 P



- 1 – GAS CYLINDER
- 2 – PRESSURE REGULATOR
- 3 – RELIEF VALVE
- 4 – SHUT-OFF VALVE
- 5 – PURGE VALVE

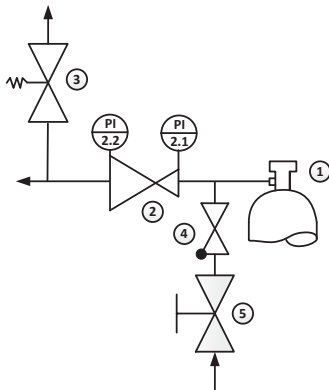
EN

C200/1 DP



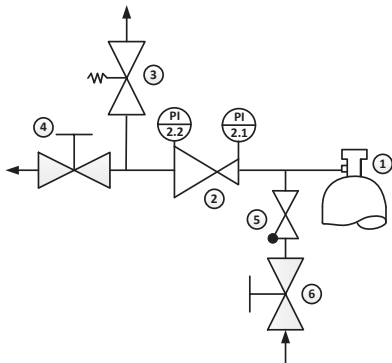
- 1 – GAS CYLINDER
- 2 – PRESSURE REGULATOR
- 3 – RELIEF VALVE
- 4 – SHUT-OFF VALVE
- 5 – DOWNSTREAM PURGE VALVE

C200/1 TP



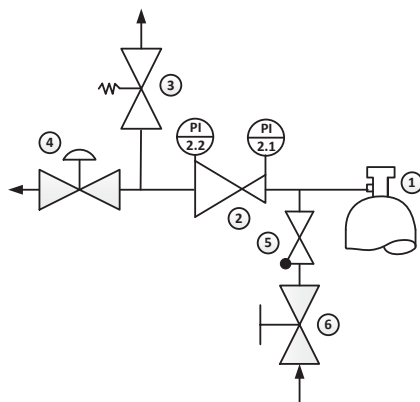
- 1 – GAS CYLINDER
- 2 – PRESSURE REGULATOR
- 3 – RELIEF VALVE
- 4 – CHECK VALVE
- 5 – INERT GAS PURGE VALVE

C200/1 TPA



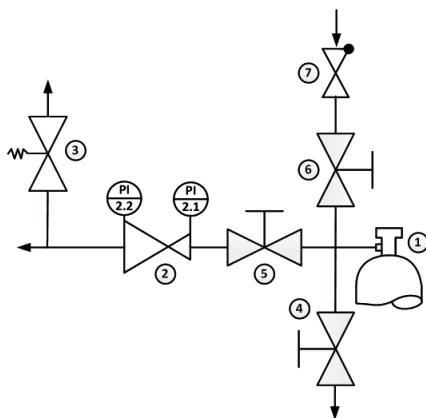
- 1 – GAS CYLINDER
- 2 – PRESSURE REGULATOR
- 3 – RELIEF VALVE
- 4 – SHUT-OFF VALVE
- 5 – CHECK VALVE
- 6 – INERT GAS PURGE VALVE

C200/1 TPB



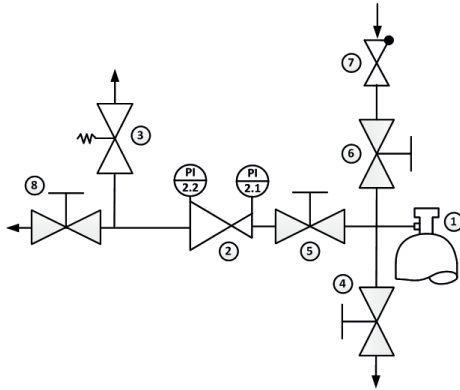
- 1 – GAS CYLINDER
- 2 – PRESSURE REGULATOR
- 3 – RELIEF VALVE
- 4 – REGULATING VALVE
- 5 – CHECK VALVE
- 6 – INERT GAS PURGE VALVE

C200/1 EP



- 1 – GAS CYLINDER
- 2 – PRESSURE REGULATOR
- 3 – RELIEF VALVE
- 4 – EXTERNAL PURGE VALVE OUTLET
- 5 – PROCES INLET SHUT-OFF VALVE
- 6 – EXTERNAL PURGE VALVE INLET
- 7 – EXTERNAL PURGE CHECK VALVE

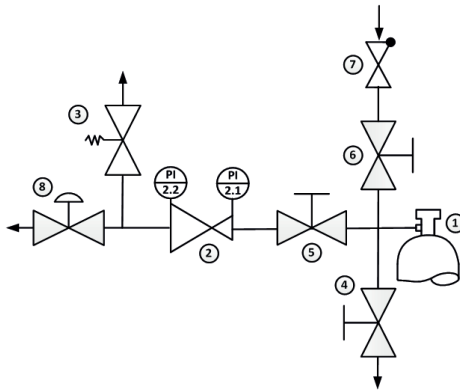
C200/1 EPA



- 1 – GAS CYLINDER
- 2 – PRESSURE REGULATOR
- 3 – RELIEF VALVE
- 4 – EXTERNAL PURGE VALVE OUTLET
- 5 – PROCES INLET SHUT-OFF VALVE
- 6 – EXTERNAL PURGE VALVE INLET
- 7 – EXTERNAL PURGE CHECK VALVE
- 8 – SHUT OFF VALVE

EN

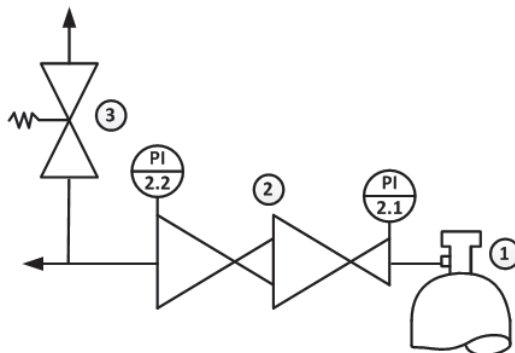
C200/1 EPB



- 1 – GAS CYLINDER
- 2 – PRESSURE REGULATOR
- 3 – RELIEF VALVE
- 4 – EXTERNAL PURGE VALVE OUTLET
- 5 – PROCES INLET SHUT-OFF VALVE
- 6 – EXTERNAL PURGE VALVE INLET
- 7 – EXTERNAL PURGE CHECK VALVE
- 8 – REGULATING VALVE

3.2 FLOW SCHEME – DUAL STAGE VERSIONS

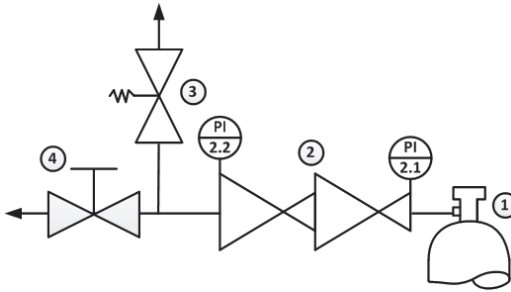
C300/2 | C200/2



- 1 – GAS CYLINDER
- 2 – PRESSURE REGULATOR
- 3 – RELIEF VALVE

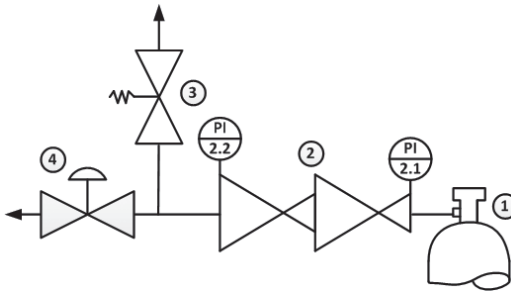
C300/2 A | C200/2 A

EN



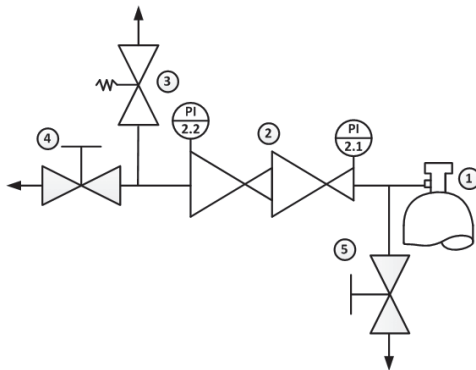
- 1 – GAS CYLINDER
- 2 – PRESSURE REGULATOR
- 3 – RELIEF VALVE
- 4 – SHUT-OFF VALVE

C300/2 B | C200/2 B



- 1 – GAS CYLINDER
- 2 – PRESSURE REGULATOR
- 3 – RELIEF VALVE
- 4 – REGULATING VALVE

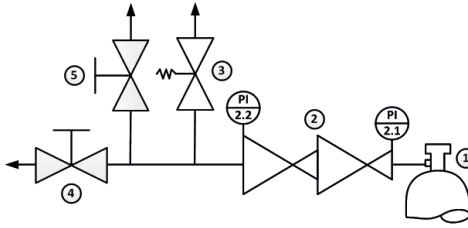
C300/2 P | C200/2 P



- 1 – GAS CYLINDER
- 2 – PRESSURE REGULATOR
- 3 – RELIEF VALVE
- 4 – SHUT-OFF VALVE
- 5 – PURGE VALVE



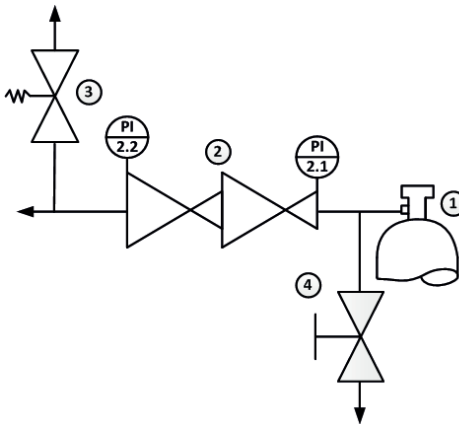
### C200/2 DP



- 1 – GAS CYLINDER
- 2 – PRESSURE REGULATOR
- 3 – RELIEF VALVE
- 4 – SHUT-OFF VALVE
- 5 – DOWNSTREAM PURGE VALVE

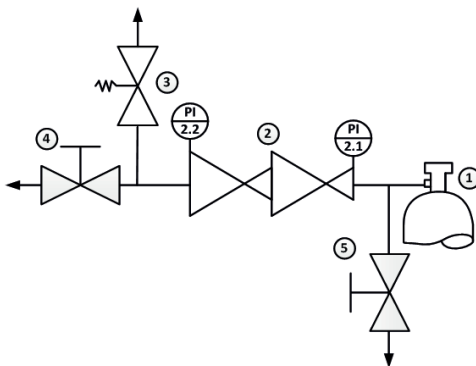
EN

### C200/2 TP



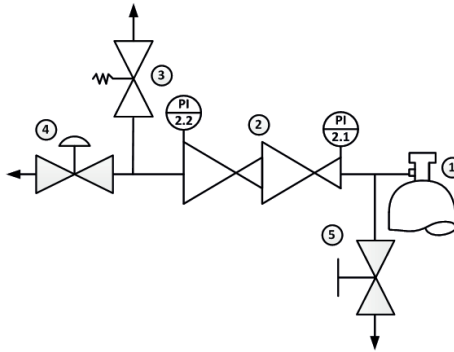
- 1 – GAS CYLINDER
- 2 – PRESSURE REGULATOR
- 3 – RELIEF VALVE
- 4 – PURGE VALVE

### C200/2 TPA



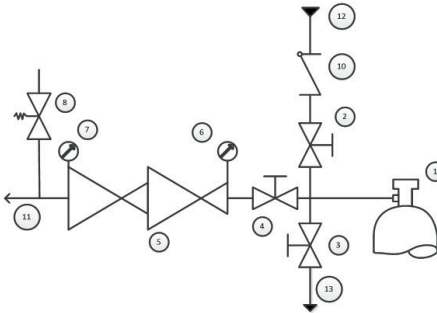
- 1 – GAS CYLINDER
- 2 – PRESSURE REGULATOR
- 3 – RELIEF VALVE
- 4 – SHUT-OFF VALVE
- 5 – PURGE VALVE

C200/2 TPB



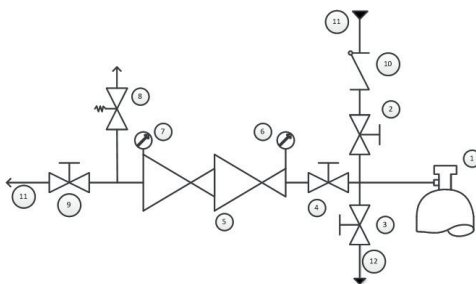
- 1 – GAS CYLINDER
- 2 – PRESSURE REGULATOR
- 3 – RELIEF VALVE
- 4 – REGULATING VALVE
- 5 – PURGE VALVE

C200/2 EP



- 1 – CYLINDER CONNECTION
- 2 – PURGE INLET VALVE
- 3 – PURGE OUTLET VALVE
- 4 – UPSTREAM SHUT OFF VALVE
- 5 – CYLINDER PRESSURE REGULATOR
- 6 – UPSTREAM PRESSURE GAUGE
- 7 – DOWNSTREAM PRESSURE GAUGE
- 8 – RELIEF VALVE
- 9 – CHECK VALVE
- 10 – PROCESS GAS OUTLET
- 11 – PURGE INLET
- 12 – PURGE OUTLET

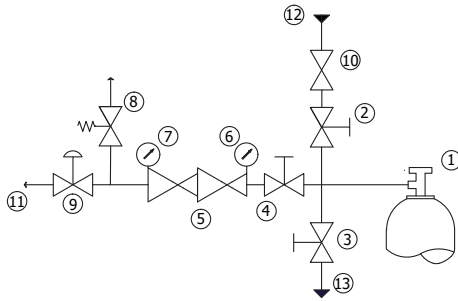
C200/2 EPA



- 1 – CYLINDER CONNECTION
- 2 – PURGE INLET VALVE
- 3 – PURGE OUTLET VALVE
- 4 – UPSTREAM SHUT OFF VALVE
- 5 – CYLINDER PRESSURE REGULATOR
- 6 – INLET PRESSURE GAUGE
- 7 – OUTLET PRESSURE GAUGE
- 8 – RELIEF VALVE
- 9 – OUTLET SHUT OFF VALVE
- 10 – CHECK VALVE
- 11 – PROCESS GAS OUTLET
- 12 – PURGE INLET
- 13 – PURGE OUTLET

C200/2 EPB

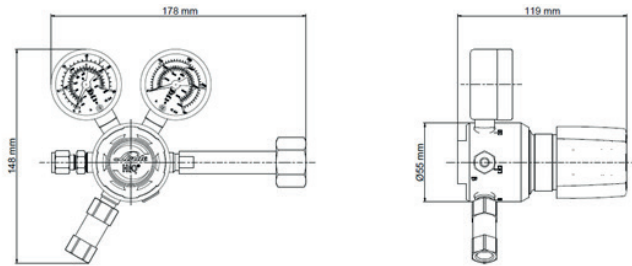
EN



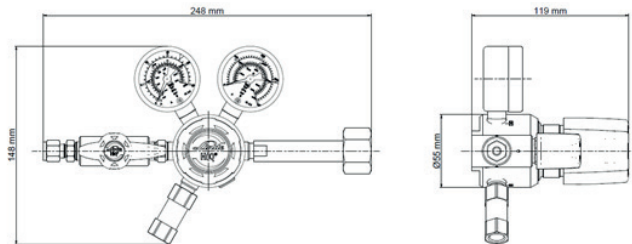
- 1 – CYLINDER CONNECTION
- 2 – PURGE INLET VALVE
- 3 – PURGE OUTLET VALVE
- 4 – INLET SHUT OFF VALVE
- 5 – CYLINDER PRESSURE REGULATOR
- 6 – INLET PRESSURE GAUGE
- 7 – OUTLET PRESSURE GAUGE
- 8 – RELIEF VALVE
- 9 – REGULATING VALVE
- 10 – CHECK VALVE
- 11 – PROCESS GAS OUTLET
- 12 – PURGE INLET
- 13 – PURGE OUTLET

3.3 DIMENSION SHEET

SINGLE STAGE

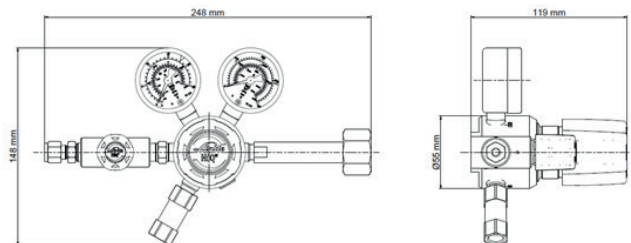


VERSION A | SINGLE STAGE

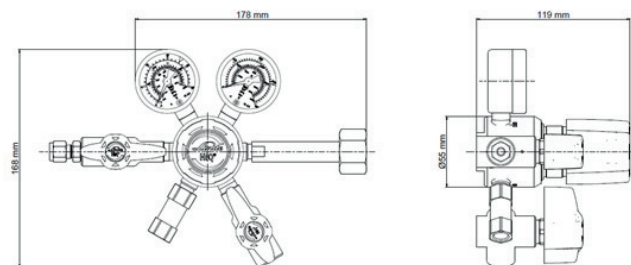


EN

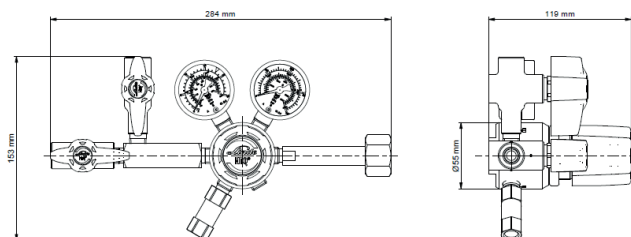
### VERSION B | SINGLE STAGE



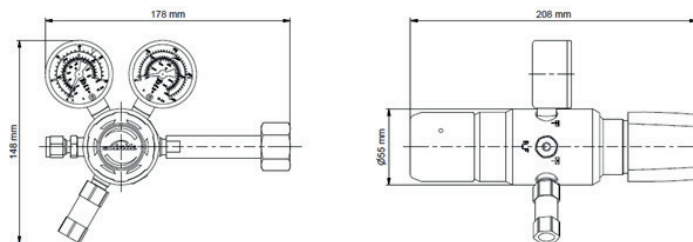
### VERSION P | SINGLE STAGE



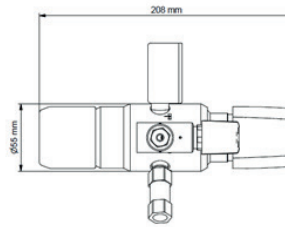
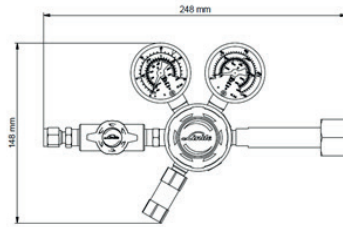
### VERSION DP | SINGLE STAGE



### DUAL STAGE

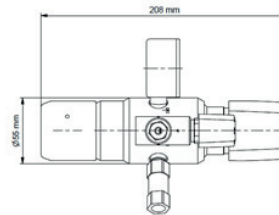
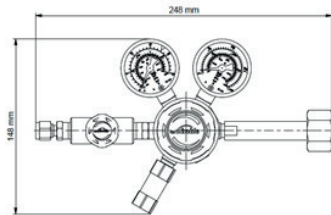


## VERSION A | DUAL STAGE

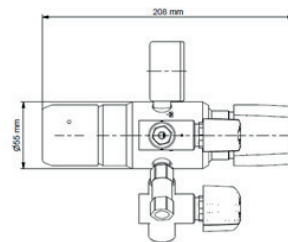
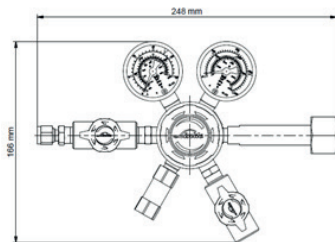


EN

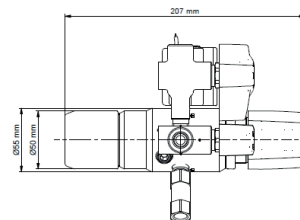
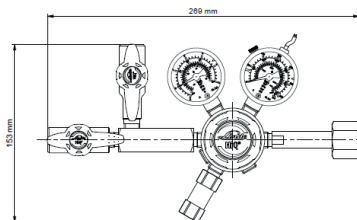
## VERSION B | DUAL STAGE



## VERSION P | DUAL STAGE

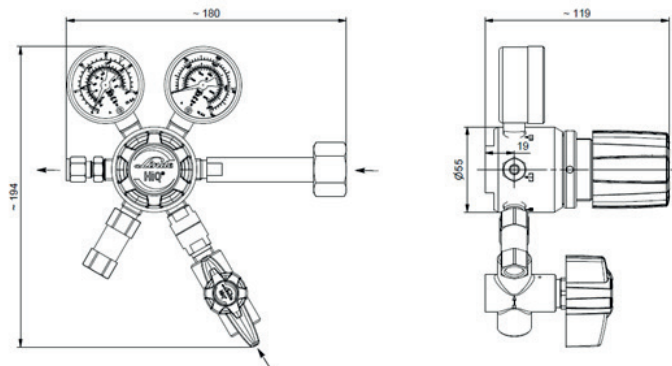


## VERSION DP | DUAL STAGE

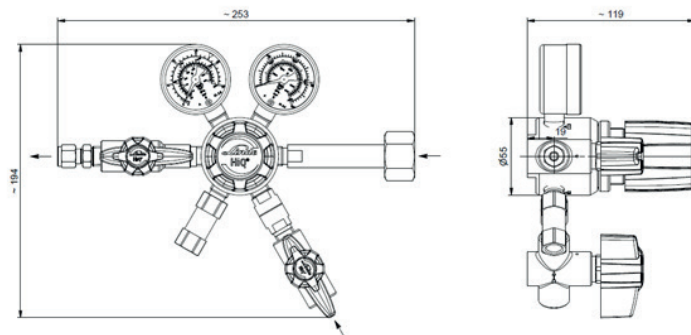


EN

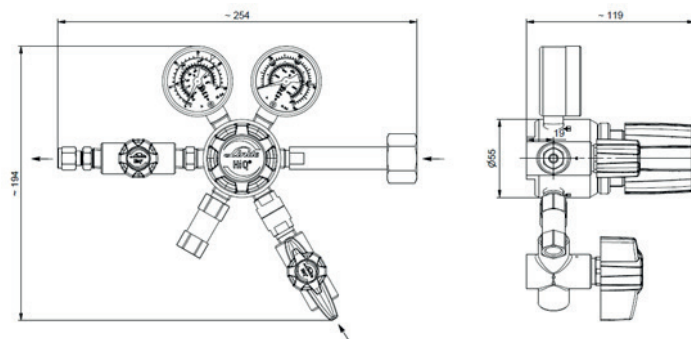
### VERSION TP | SINGLE STAGE



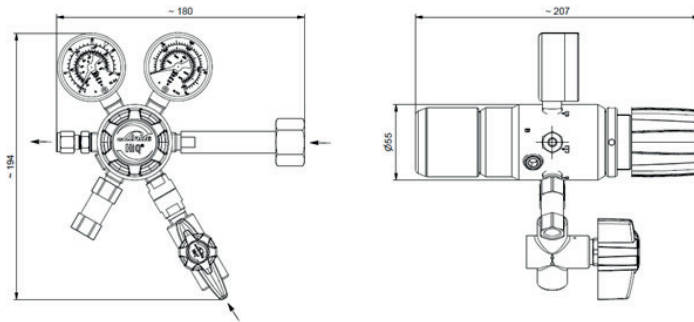
### VERSION TPA | SINGLE STAGE



### VERSION TPB | SINGLE STAGE

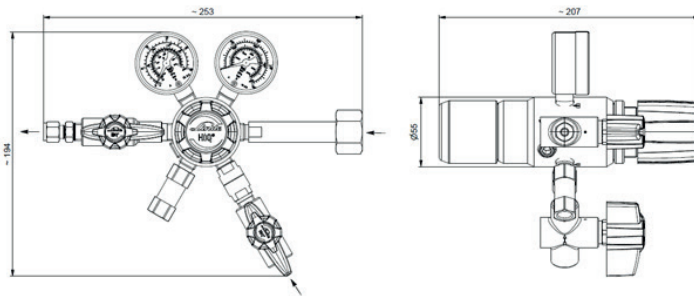


### VERSION TP | DUAL STAGE

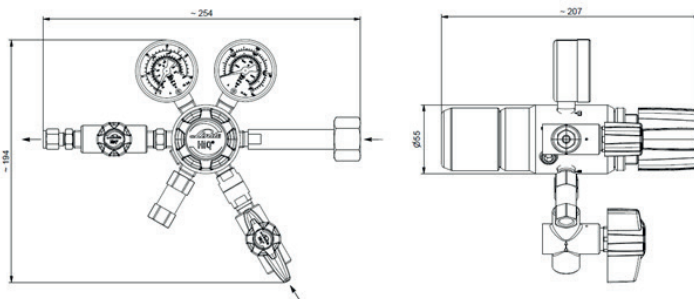


EN

### VERSION TPA | DUAL STAGE

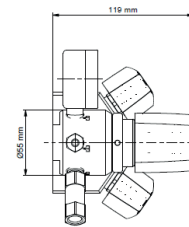
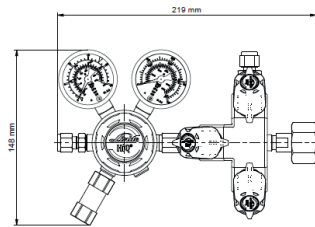


### VERSION TPB | DUAL STAGE

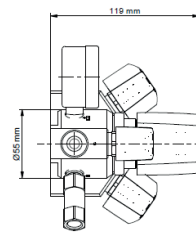
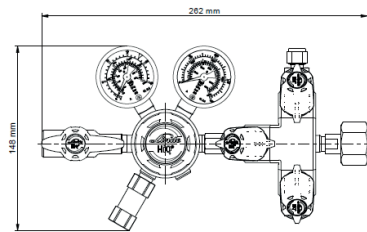


## VERSION EP | SINGLE STAGE

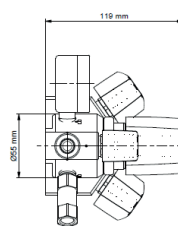
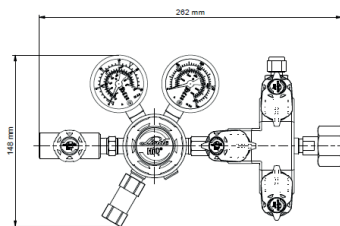
EN



## VERSION EPA | SINGLE STAGE

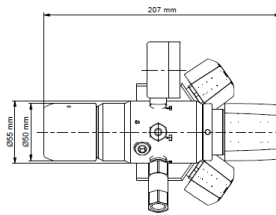
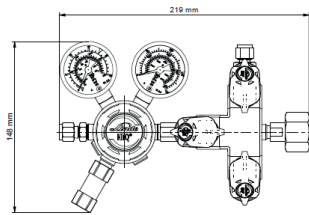


## VERSION EPB | SINGLE STAGE



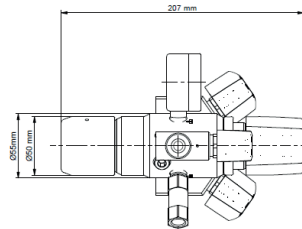
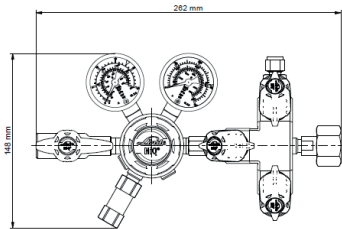


## VERSION EP | DUAL STAGE

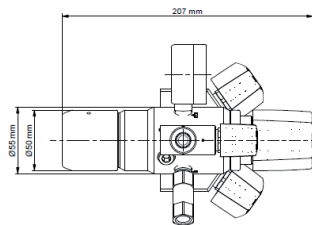
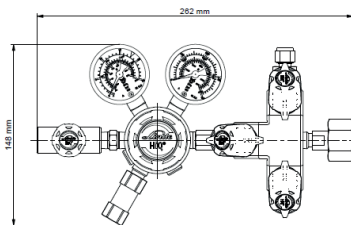


EN

## VERSION EPA | DUAL STAGE



## VERSION EPB | DUAL STAGE



### 3.4 GENERAL INFORMATION

Information	Single Stage   Brass Chrome Plated	Dual Stage   Brass Chrome Plated	Single Stage   Stainless Steel	Dual Stage   Stainless Steel
max. Weight [kg]	2,5	3,3	4,04	4,93
Length [mm]	223	223	263	263
Depth [mm]	114	202	114	202
Height [mm]	168	168	168	168

### 3.5 CONNECTION VALUES

Information	Value	Unit
Inlet	DIN477 AFNOR BS CGA Etc.	Cylinder connection
Outlet	1/8", 1/4", 3/8", 1/2" 3, 6, 8, 10, 12 4,8; 6,4; 8,0	Fitting inch Fitting mm Hose nozzle (max. 15 bar)
Relief valve	1/4"	Fitting inch

### 3.6 PERFORMANCE VALUE

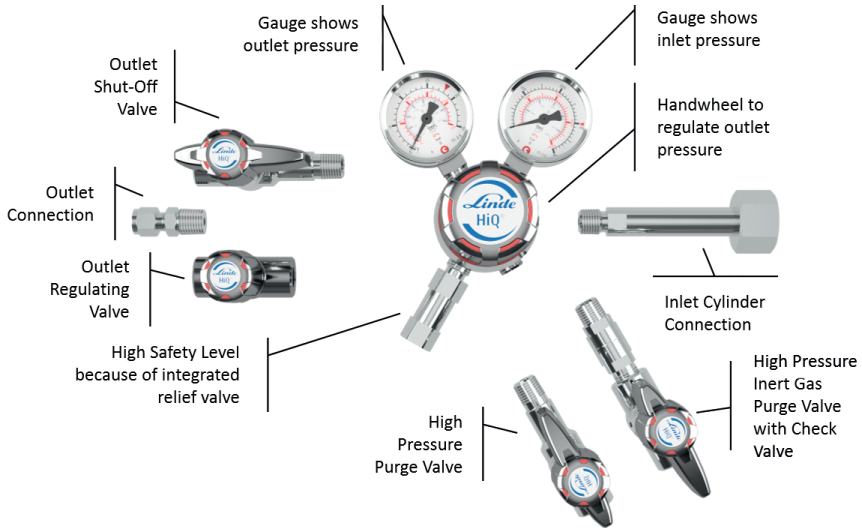
Information	Value	Unit
Nominal flow (ISO 2503)	20 (Air)	m <sup>3</sup> /h
Inlet pressure (max.)	C300 - 300 bar C200 - 200 bar C60 - 60 bar	bar
Outlet pressure (max.)	200 (depends on configuration)	bar

### 3.7 OPERATING CONDITIONS

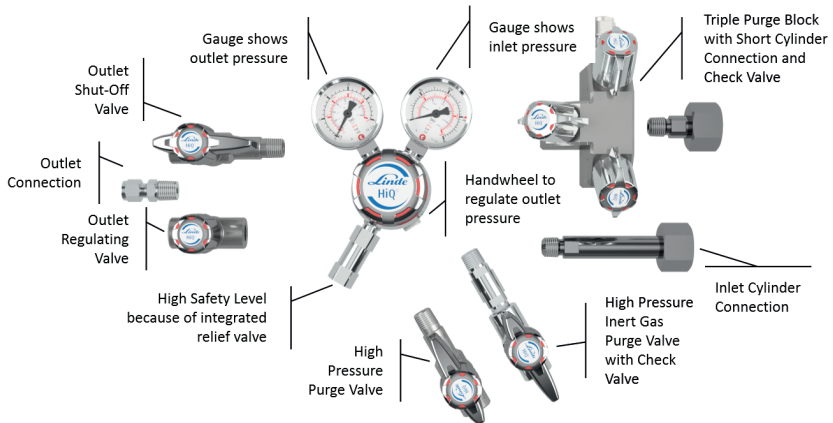
Information	Value	Unit
Temperature range	-20 till +60	°C
Relative humidity (max.)	98	%

## 4. SET-UP AND FUNCTION

### 4.1 SET-UP - BRASS CHROME PLATED VERSION



### 4.2 SET-UP - STAINLESS STEEL VERSION



### 4.3 BRIEF DESCRIPTION

The operation of cylinder regulator works manual with the handwheel. The inlet and outlet pressure are displayed on the inlet and outlet pressure gauge. Different components could be additional for handling:

- Shut-off valve at outlet to shut off outlet pressure.
- Regulating valve at outlet to regulate outlet pressure.
- Purge valve at inlet to purge high pressure site and/ or to depressurize before cylinder change.
- Inert Gas Purge Valve with Check Valve at the inlet
- Triple purge block at inlet, to clean from atmospheric air or purge with purge gas before cylinder change.

## 5. TRANSPORT, PACKAGING AND STORAGE



### TIPS AND RECOMMENDATIONS!

- The installation and start-up of this cylinder regulator is normally done by the manufacturer or by authorized personnel.
- Even though there can be some users or maintenance personnel who care about the packaging. The following notes should be observed accordingly.

EN

### 5.1 SAFETY INFORMATION FOR TRANSPORTATION



#### NOTE!

- **Damages caused by inappropriate transportation!**
- If transported inappropriately, consignments can fall or topple over. This can cause considerable property damage.
- When unloading the consignments on delivery and transporting them on the premises, act with caution and observe the symbols and warnings on the packaging.
- Use only the attachment points provided.
- Do not remove the packaging until you are ready to assemble the regulator.

### 5.2 TRANSPORT INSPECTION

Upon delivery, check immediately that the consignment is complete and has not been damaged during transit. Procedure on detection of visible transport damage:

- Refuse acceptance of the delivery or only accept subject to reservation
- Record the extent of the damage on the transportation documentation or on the forwarder's delivery note
- File a complaint



### TIPS AND RECOMMENDATIONS!

- Report each and every defect as soon as you discover it. Claims for damages can only be asserted within the specified periods.

### 5.3 PACKAGING

The individual consignments are packed according to the anticipated transport conditions. Without exception all packaging is made of environmentally friendly material.

The packaging is intended to protect the individual components against transport damage, corrosion and other damage until they are ready for installation. Do not, therefore, destroy the packaging; only remove it when assembly is imminent.



#### NOTE!

- **Risk of environmental harm through incorrect disposal!**
- Packaging materials are valuable raw materials. In many cases they can be re-used or recycled. Incorrect disposal of packaging materials can harm the environment.
- Dispose of packaging materials in an environmentally compatible manner.
- Observe locally applicable disposal regulations. If necessary, commission a specialist disposal firm.

### 5.4 STORAGE

Store the packages in the following conditions:

- Do not store outdoors
- Store in a dry and dust-free location
- Do not expose to aggressive media
- Protect from sunlight radiation
- Avoid mechanical jolts
- Storage temperature: 15 to 35 °C
- Relative humidity: max. 60 %
- If storing for longer than 3 months, regularly inspect the general condition of all parts and the packaging. If necessary re-apply or renew the rust-proofing



## TIPS AND RECOMMENDATIONS!

- Some packages may bear labels with storage information that extends beyond these requirements. These notes should be observed accordingly.

## 6. INSTALLATION AND INITIAL START-UP

EN

### 6.1 SAFETY NOTES FOR INSTALLATION AND INITIAL START-UP

#### STAFF

Installation and initial start-up of the system may only be performed by qualified staff.

### 6.2 PREPARATION

#### UNPACKING

- The system components should be removed from their packaging carefully and prudently.
- Additional protective packaging should also be removed.
- Check all components of damages from transport

#### DEPRESSURIZE

- Depressurize components and purge with inert gas if necessary
- Cut tubing with special tool; avoid contaminations (dirt, cuttings, etc.)
- Check perfect condition of components and purity of connections

### 6.3 INSTALLATION

Only use pressure regulators with cylinder connection according to the several gases and the national and international directives (DIN477, CGA, AFNOR, etc.).



#### DANGER!!

- Thread of cylinder valve and swivel nut must be in perfect condition.



#### WARNING!!

- Always use new gasket. Gasket must be in perfect condition without deformation, dirt or metal particles.
- The use of several gaskets at one sealing point is not permitted. Used seals must be removed.



#### WARNING!!

- Don't use wrench extensions, thread and gasket could be damaged.
- Leads to leakage, uncontrollable gas discharge or complete discharge of gas. emitted.
- Used seals must be removed.



#### WARNING!!

- During connecting or changing gas cylinders with toxic or corrosive gas consider personal safety provisions (breathing protection, eye protection, protective clothes).
- Consider MAK-values (see technical rules for hazardous material, TRGS 900), choose correct respirator filter. Use only cylinder regulator with external gas purging.



#### BE AWARE!!

- Before connecting the cylinder regulator check type label, if the component is suitable for provided purpose.

### 6.3.1. PREPARATION

It is only allowed to use cylinder regulators with cylinder connections according to the respective standards (DIN477, CGA, AFNOR, etc.) corresponding to the used gas-type.

### 6.3.2. CONNETING OF GAS CYLINDER

Insert the seal corresponding to the respective cylinder connection and the type of gas.

First connect swivel nut with hand at cylinder valve.

Consider right and left thread!

Fix the regulator to cylinder valve, don't tilt.

Tighten the swivel nut with wrench.

Attention, don't use wrench extension, thread and gasket could be damaged. This would lead to leakage, uncontrollable gas discharge or complete discharge of gas.

If cylinder connection has hand connection, screw the swivel nut hand tight. Doesn't use wrench on hand connection, handle could be damaged.



In most cases the tubing of cylinder regulator is mounted with compression fittings. First remove the plastic caps from inlet and outlet. The piping has to be inserted completely into the compression fitting. Then screw the nut hand tight. After that screw with a jaw spanner 1 ¼ turns tight (first installation 1 ¼ turns for tubes bigger than 1/8 inch and 3/4 turns for 1/8 inch and smaller tubes, retightening 1/4 for all tubes). Connect the relief tubing the same way.

The relief tubing is mounted the same way to the relief valve. Consider the directions of manufacturers regarding the suitability of material for several gases and pressures.

The cylinder regulator is available with hose nozzle when maximum pressure is 15 bar. Due to conical form of the nozzle the hose easily fits.

#### **Type P, with purge valve**

Cylinder regulator with purge valve (P) must be equipped with an additional vent tubing at purge valve outlet, as described above.

#### **Type DP, with downstream purge valve**

Cylinder regulator with downstream purge valve (DP) must be equipped with an additional vent tubing at downstream purge valve outlet, as described above.

#### **Type TP, TPA, TPB, with inert gas purge valve**

Cylinder regulator with inert gas purge valve (TP, TPA, TPB) must be equipped with an additional tubing at inert gas purge valve inlet, as described above.

#### **Type EP, EPA and EPB, with triple purge block**

At stainless steel cylinder regulator with triple purge block (EP, EPA or EPB) has to be connected additional tubing at inlet and outlet from triple purge block as described above.

## 6.4 REQUIRED QUALIFICATIONS FOR INITIAL START-UP AND CYLINDER CHANGING

- The test protocols from the piping according to tightness and if necessary moisture and particles are available
- Process gas tubes, vent piping and purge gas tubing, safety valve and check valve tubing if existent is connected
- In process gas tubing is only standard gas ( see 1.2)
- The start-up is only realized by qualified personal
- Wear safety clothes according to regulations
- Use spark-free tools and provide before installation
- Before first start-up check type label, if the cylinder regulator is suitable for the provided purpose (gas, pressure, material, etc.)

## 6.5 INITIAL START UP

- All requirements are fulfilled as on point 6.4
- Cylinder regulator is depressurized, handwheel turned completely to left side
- When using corrosive and/or toxic gases with stainless steel cylinder regulator version **TP, TPA, TPB, EP, EPA** or **EPB** external gas purging needs to take place before initial startup (see point 6.5.2).



### WARNING!

- Make sure the cylinder regulator is not exposed to pressure levels that exceed their respective permissible nominal pressure.

### 6.5.1. FILL THE PROCESS GAS TUBING WITH PROCESS GAS

Adjust pressure with handwheel turning clockwise. Cylinder Regulator is now in operation. It is recommended to check the cylinder regulator and the pressures daily.

### 6.5.2. CYLINDER CHANGE

When using corrosive and/or toxic gases with stainless steel cylinder regulator version **TP, TPA, TPB, EP, EPA** or **EPB** external/ inert gas purging needs to take place before cylinder change.



### NOTE!

For external purge gas use dry, clean gas. We recommend using purge gas with a quality according to your application.



### WARNING!

- During changing gas cylinders with toxic or corrosive gas consider personal safety provisions (breathing protection, eye protection, protective clothes).
- Consider MAK-values (see technical rules for hazardous material, TRGS 900), choose correct respirator filter.

### DANGER!

- If the cylinder regulator is used with toxic and/ or corrosive gases, the component have to be purged with inert purge gas (external gas purging with triple purge block). Therewith dangerous rest gas is removed through purge gas tubing.

## PREPARATION

1. Close cylinder valve
2. Empty pressure regulator, inlet and outlet gauge have to show „0“
3. Turn handwheel of pressure regulator anti clockwise all the way to stop, pressure regulator is closed
4. Close outlet shut off or regulating valve, if existent
5. Process Gas Purging, Discharge Process or External gas Purging for the following version:  
**TP, TPA, TPB, EP, EPA** or **EPB, DP**

## PROCESS GAS PURGING/ DISCHARGE PROCESS

Cylinder regulator with high pressure purge valve (P), or cylinder regulator with downstream purge valve (DP). Check if purge gas tubing is installed properly. Open and close purge valve to discharge cylinder connection.

## EXTERNAL GAS PURGING

### Purge process cylinder regulator with Inert gas Purge Valve at Inlet (TP, TPA, TPB)

- A** Check, if purge gas inlet and process gas inlet are mounted properly.
- B** Close all valves.
- C** Close pressure regulator by turning the handwheel anti clockwise.
- D** Open inert gas purge valve.
- E** Close inert gas purge valve.
- F** Open pressure regulator and outlet shut-off or regulating valve for very short time to release purge gas through pressure regulator outlet.
- G** Close pressure regulator and outlet shut-off or regulating valve.

Repeat point D-G 10 times for optimal result.

6. Release swivel nut at gas cylinder with wrench. When cylinder connection has hand connection, release swivel nut by hand.
7. Connect new cylinder as described in point 6.31.

## EXTERNAL GAS PURGING

### Purge process cylinder regulator with triple purge block (EP, EPA, EPB)

- A** Check, if purge gas inlet, purge gas outlet and process gas inlet are mounted properly.
- B** Close all valves. The valves at triple purge block must be transverse to tubing. Red marking is visible on the other valves.
- C** Close pressure regulator by turning the handwheel anti clockwise.
- D** Open external purge valve inlet
- E** Close external purge valve inlet. Gas should stay a few seconds inside triple purge block.
- F** Open external purge valve outlet for very short time to release purge gas through purge gas tubing.
- G** Close external purge valve outlet.

Repeat point D-G 10 times for optimal purge result.

## 6.5.3. TAKING GAS SUPPLY OUT OF OPERATION

When using corrosive and/ or toxic gases with stainless steel cylinder regulator version TP, TPA, TPB, EP, EPA or EPB external gas purging needs to take place before cylinder change.



### BEWARE!

- Consider in general when dismantling: Depressurize pressure regulator and tubing through consumer. Inlet gauge have to show „0“.
  - Purge with inert gas, when corrosive and / or toxic gas is used.
  - Consider personal safety provisions (breathing protection, eye protection, protective clothes).
  - Consider MAK-values (see technical rules for hazardous material, TRGS 900), choose correct respirator filter.
1. Close cylinder valve
  2. Depressurize pressure regulator, inlet gauge have to show “0”
  3. Turn handwheel of pressure regulator anti clockwise all the way to stop
  4. Close outlet shut-off valve, if existent
  5. Purge or discharge process for the following version :P, TP, TPA, TPB, , EP, EPA, EPB (see point 6.5.2)
    - Close pressure regulator by turning the handwheel anti clockwise all the way to stop.
    - Depressurize tubing system!
    - Cylinder regulator is now out of operation. Now reparation and/ or maintenance work could be done.

## 6.6 TESTS

- After pressurizing the complete function of cylinder regulator should be tested
- Check relief valve



## 7. OPERATION

In reference to chapter 2.1 the operation of the cylinder regulator is defined.



### BEWARE!

- Cylinder regulators must always be opened slowly and carefully to prevent pressure surges in the system and damage to the other components!

For a brief interruption of gas removal it is sufficient to close the shut off or regulating valve on the regulator. For a longer interruption the regulator must be released from pressure by turning the handwheel anti clockwise. Close the cylinder valve as a safety precaution.

EN

## 8. MAINTENANCE

### 8.1 SAFETY NOTES FOR MAINTENANCE



#### NOTE!

- Maintenance may only be performed by sufficiently qualified, trained and authorized individuals (see section 2.4)

### 8.2 MAINTENANCE PLAN

The following sections describe the maintenance works that must be performed to ensure the optimum and trouble-free operation of the regulator.

If regular inspections reveal increased wear, the requisite maintenance intervals must be shortened to reflect the actual wear and tear.



#### NOTE!

- Please contact the manufacturer if you have any questions relating to maintenance works and intervals.

Interval	Maintenance work	Personal
Weekly	Check all components visually	Competent Person (TRBS 1203)
Every year	Checking function & tightness, check for all safety relevant components	Competent Person (TRBS 1203)
Every 10 years	General overhaul and replacement of all wearing parts	Competent Person (TRBS 1203)

### 8.3 MAINTENANCE WORK

#### 8.3.1. CLEANING



#### NOTE!

- All cleaning agents must be compatible with the materials of the installed component.

#### 8.3.2. REQUIREMENTS FOR MAINTENANCE

*CHECK BEFORE MAINTENANCE START, IF:*

- Gas supply is disconnected and safe
- Manifold is depressurized
- Pressure regulator is depressurized
- Valves are closed
- No process gas inside component.
- System is purged and filled with inert gas.

### 8.3.3. NECESSARY MAINTENANCE

- Check accuracy of pressure gauges
- Manifold, pressure regulator, valve and gauges: check condition, function and labeling
- Check labelling
- Check for corrosion
- Check function
- Pressure test with 1-times working pressure for 12 hours
- Worn and defective components must be changed immediately from authorized qualified company
- Valve is designed according to ISO 10297, including type test with cycle test from up to 2000 cycles. Change inner parts after 2000 cycles, change must be done from authorized qualified company
- If there are any leakages or too much corrosion at the manifold/ pressure regulator or valve, component must be replaced with all connections by an authorized company
- After the changing of components or tubes, pressure and leakage test must be done again and be protocolled

### 8.4 MEASURES FOLLOWING MAINTENANCE

The following steps must be performed when the maintenance works have been completed and before switching on the system.

1. Make sure that all tools, materials and other equipment have been removed from work area.
2. Clean the work area and remove any spilled substances, e.g. liquids, processing material or similar.
3. Make sure that safety relevant components are working perfect.

The following steps must be performed when the maintenance works have been completed and before switching on the system.

## 9. TROUBLESHOOTING

The following section describes possible causes of malfunction and how to eliminate them. If malfunctions occur with increasing regularity, shorten the maintenance intervals to reflect the actual load. If malfunctions occur that cannot be eliminated with the following help, please contact the manufacturer.

### 9.1 SAFETY NOTES FOR TROUBLESHOOTING

In any case of malfunction, the shut-off valves of the connected gas cylinder, gas container or bundle must be closed. Never operate devices with malfunctions under pressure.

*WHAT TO DO IN CASE OF MALFUNCTION:*

1. Interrupt and ensure gas supply.
2. Depressurize pressure regulators and close valves.
3. Only trained technical staff may eliminate malfunctions.
4. Restore component to its original state.

Description	Reason	Solution	Valve	Cylinder Regulator	Line Regulator	Gas Supply Panel
No Flow (Inlet Gauge shows pressure, outlet gauge not)	Pressure Regulator is closed	Open pressure regulator slowly Close purge valve		☑	☑	☑
No Flow (Inlet and Outlet Gauge show „0“)	Cylinder Valve closed Processgas Valve closed Pressure Regulator closed Cylinder coil/ hose not connected	Initial Start- Up see point 6 Installation and initial start-up		☑	☑	☑
No Flow	Handwheel closed	Open hand-wheel slowly	☑			

Description	Reason	Solution	Valve	Cylinder Regulator	Line Regulator	Gas Supply Panel
Increase of outlet pressure & relief valve opens	Leakage in pressure regulator seat	Repair by manufacturer		<input checked="" type="checkbox"/>	<input checked="" type="checkbox"/>	<input checked="" type="checkbox"/>
Slight increase of outlet pressure & relief valve does not open	Inlet pressure drop	No failure, normal operating state		<input checked="" type="checkbox"/>	<input checked="" type="checkbox"/>	<input checked="" type="checkbox"/>
Slight increase of outlet pressure	Difference between flow pressure (with gas flow) and Zero Pressure (without gas flow)	No failure, normal operating state		<input checked="" type="checkbox"/>	<input checked="" type="checkbox"/>	<input checked="" type="checkbox"/>
Slight drop of outlet pressure	Difference between flow pressure (with gas flow) and Zero Pressure (without gas flow)	No failure, normal operating state		<input checked="" type="checkbox"/>	<input checked="" type="checkbox"/>	<input checked="" type="checkbox"/>
Heavy drop of outlet pressure	Required flow to high for pressure regulator	Choose new pressure regulator for required pressure and flow		<input checked="" type="checkbox"/>	<input checked="" type="checkbox"/>	<input checked="" type="checkbox"/>
Heavy drop of outlet pressure	Leakage in process gas tubing	Check process gas tubing		<input checked="" type="checkbox"/>	<input checked="" type="checkbox"/>	<input checked="" type="checkbox"/>
Outlet Pressure to high	Wrong settings for pressure regulator	Adjust pressure regulator settings, readjust pressure regulator, maintenance		<input checked="" type="checkbox"/>	<input checked="" type="checkbox"/>	<input checked="" type="checkbox"/>
Outlet pressure increase immediately all the way to the stop or outlet pressure increases and gets slowly higher than set value and relief valve opens	Pollution or damage of pressure regulator seat "Creap"	Repair by manufacturer		<input checked="" type="checkbox"/>	<input checked="" type="checkbox"/>	<input checked="" type="checkbox"/>
Noise during operation	Required flow too high for pressure regulator	Choose new pressure regulator for required pressure and flow		<input checked="" type="checkbox"/>	<input checked="" type="checkbox"/>	<input checked="" type="checkbox"/>

EN

Description	Reason	Solution	Valve	Cylinder Regulator	Line Regulator	Gas Supply Panel
No changes of valve control when turning the handwheel	Defect handwheel because of too high torque, defect of spindle, defect of thread	Repair by manufacturer	☑	☑	☑	☑
Moisture on pressure regulator (NO dew, rain or snow)	Pressure regulator withdraw energy from environment through gas expansion	No failure, normal operating state		☑	☑	☑
Icing on pressure regulator (NO dew, rain or snow)	Pressure regulator withdraw energy from environment through gas expansion, limited delivery performance from pressure gas tanks, e.g. N <sub>2</sub> O, CO <sub>2</sub>	No failure, normal operating state ATTENTION: keep functionality of contact gauges in mind, raise quantity of pressure gas tanks		☑	☑	☑

This table is not exhaustive. For questions and ambiguities please contact manufacturer. Contact details section 1.8.

## 10. DISMANTLING AND DISPOSAL

Once the system has reached its end-of-life, it must be dismantled and disposed of in an environmentally compatible way.

### 10.1 SAFETY NOTES FOR DISMANTLING AND DISPOSAL



#### WARNING!

- **Risk of injury through incorrect dismantling!**
- Residual energy storage, sharp edged components, tips and corners on and in the system or on the required tools can cause injury.
- arrange enough space for working
- be careful with sharp edges
- pay attention for order and cleanness
- loose components can cause accidents
- dismantle the components properly. Bear in mind that some of the components are heavy. Use lifting equipment if necessary
- secure the components against falling or toppling over
- In doubt ask the manufacturer

### 10.2 DISMANTLING

#### PRIOR STARTING DISMANTLING

Depressurize cylinder regulator by turning the handwheel anti clockwise.

Depressurize cylinder regulator and make sure that there is no process gas inside.  
Depressurize tubing system and purge with inert gas if necessary.  
Dismantle the assemblies and components properly and in compliance with applicable local work safety and environmental protection regulations.



**WARNING!**

- ***Do not open system filled or used with toxic and/ or corrosive gases.***

EN

## 10.3 DISPOSAL

In the absence of a return or disposal agreement, the dismantled components should be recycled as follows:

Metals: scrap.

Plastics: recycle.

Other components: sort and dispose.

In accordance with Article 33 of REACH GCE, s.r.o. as responsible manufacturer shall inform all customers if materials containing 0.1% or more of substances included in the list of Substance of Very High Concern (SVHC).

The most commonly used brass alloys used for bodies and other brass components contain 2-3% of lead (Pb), EC no. 231-468-6, CAS no. 7439-92-1. The lead will not be released to the gas or surrounding environment during normal use. After end of life the product shall be scrapped by an authorized metal recycler to ensure efficient material handling with minimal impact to environment and health.

To date we have no information that indicates that other materials containing SVHC of concentrations exceeding 0.1% are included in any GCE product.



**NOTE!**

- ***Risk of environmental harm through incorrect disposal!***
- Incorrect disposal can harm the environment.
- Commission a specialized licensed firm to dispose of electrical waste, electronic components, lubricants and other auxiliary materials.
- If in doubt, enquire how to ensure environmentally compatible disposal at your local council office or consult a specialist disposal firm.

[www.linde.com](http://www.linde.com)

These products were manufactured on behalf of Linde GmbH.

# INHALT

1 Allgemeines .....	40
1.1 Information zu dieser Anleitung.....	40
1.2 Information zum Flaschendruckregler .....	40
1.3 Symbolerklärung.....	41
1.4 Haftungsbeschränkung .....	42
1.5 Urheberrecht.....	42
1.6 Ersatzteile .....	42
1.7 Gewährleistungsbestimmungen .....	42
1.8 Kundenservice .....	42
2 Sicherheit.....	43
2.1 Bestimmungsgemäße Verwendung .....	43
2.1.1 Bauliche Veränderung am Flaschendruckregler .....	43
2.2 Grundsätzliche Gefahren .....	43
2.3 Verantwortung des Betreibers.....	44
2.4 Personalanforderungen.....	45
2.4.1 Qualifikationen .....	45
2.4.2 Unbefugte .....	45
2.4.3 Unterweisung.....	45
2.5 Persönliche Schutzausrüstung .....	46
2.6 Verhalten bei Feuersbruch und bei Unfällen .....	47
2.7 Umweltschutz .....	47
2.8 Beschilderung .....	47
2.8.1 Gebotzeichen.....	47
2.8.2 Verbotzeichen .....	47
2.8.3 Warnzeichen.....	47
3 Technische Daten.....	48
3.1 Fließschema - Einstufige version .....	48
C300/1   C200/1   C60/1 .....	48
C300/1 A   C200/1 A   C60/1 A .....	48
C300/1 B   C200/1 B   C60/1 B .....	48
C300/1 P   C200/1 P   C60/1 P .....	49
C200/1 DP .....	49
C200/1 TP .....	49
C200/1 TPA .....	50
C200/1 TPB .....	50
C200/1 EP .....	50
C200/1 EPA .....	51
C200/1 EPB .....	51
3.2 Fließschema - Zweistufige version .....	51
C300/2   C200/2 .....	51
C300/2 A   C200/2 A .....	52
C300/2 B   C200/2 B.....	52
C300/2 P   C200/2 P.....	52
C200/2 DP .....	53
C200/2 TP.....	53
C200/2 TPA .....	53
C200/2 TPB.....	54
C200/2 EP .....	54
C200/2EPA .....	54
C200/2EPB .....	55
3.3 Massblatt.....	55
EINSTUFIG .....	55
VERSION A   EINSTUFIG.....	55
VERSION B   EINSTUFIG.....	56
VERSION P   EINSTUFIG.....	56
VERSION DP   EINSTUFIG.....	56
ZWEISTUFIG.....	56

VERSION A   ZWEISTUFIG .....	57
VERSION B   ZWEISTUFIG.....	57
VERSION P   ZWEISTUFIG.....	57
VERSION DP   ZWEISTUFIG.....	57
VERSION TP   EINSTUFIG.....	58
VERSION TPA   EINSTUFIG.....	58
VERSION TPB   EINSTUFIG.....	58
VERSION TP   ZWEISTUFIG .....	59
VERSION TPA   ZWEISTUFIG.....	59
VERSION TPB   ZWEISTUFIG.....	59
VERSION EP EINSTUFIG.....	60
VERSION EPA EINSTUFIG .....	60
VERSION EPB EINSTUFIG .....	60
VERSION EP ZWEISTUFIG .....	61
VERSION EPA ZWEISTUFIG.....	61
VERSION EPB ZWEISTUFIG.....	61
3.4 Allgemeine Angaben.....	62
3.5 Anschlusswerte.....	62
3.6 Leistungswerte.....	62
37 Betriebsbedingungen Umgebung .....	62
4 Aufbau und Funktion .....	63
4.1 Aufbau – MESSING VERCHROMTE VERSION.....	63
4.2 Aufbau – EDELSTAHL VERSION .....	63
4.3 Kurzbeschreibung .....	63
5 Transport, Verpackung und Lagerung .....	64
5.1 Sicherheitshinweise für den Transport.....	64
5.2 Transport Inspektion.....	64
5.3 Verpackung.....	64
5.4 Lagerung.....	64
6 Installation und Erstinbetriebnahme.....	65
6.1 Sicherheitshinweise für die Installation und Erstinbetriebnahme.....	65
6.2 Vorbereitungen.....	65
6.3 Installation .....	64
6.3.1 Vorbereitung.....	65
6.3.2 Anschließen der Gasflasche .....	66
6.4 Voraussetzung zur Erstinbetriebnahme .....	67
6.5 Erstinbetriebnahme .....	67
6.5.1 Füllen der Prozessgasleitung mit Prozessgas.....	67
6.5.2 Flaschenwechsel .....	67
6.5.3 Außerbetriebnahme .....	68
6.6 Prüfungen.....	68
7 Betrieb .....	68
8 Wartung .....	69
8.1 Sicherheitshinweise für die Wartung.....	69
8.2 Wartungsplan.....	69
8.3 Wartungsarbeiten.....	69
8.3.1 Reinigung.....	69
8.3.2 Voraussetzung zur Wartung .....	69
8.3.3 Notwendige Wartungsleistung.....	69
8.4 Massnahmen nach erfolgter Wartung.....	70
9 Störungen.....	70
9.1 Sicherheitshinweise für die Störungsbehebung .....	70
10 Demontage und Entsorgung.....	73
10.1 Sicherheitshinweise für die Demontage und Entsorgung.....	73
10.2 Demontage.....	73
10.3 Entsorgung .....	73

# DEUTSCH

## GEBRAUCHSANLEITUNG: 6-PORT FLASCHENDRUCKREGLER

### 1. ALLGEMEINES

#### 1.1 INFORMATION ZU DIESER ANLEITUNG

Diese Anleitung gilt für ein- und zweistufige Flaschendruckregler des Typs:

- C300/1, C300/2
- C200/1, C200/2
- C60/1

Flaschendruckregler sind für den direkten Anschluss an Gasflaschen zur Reduzierung des Flaschendrucks auf niedrige Ausgangsdruckbereiche vorgesehen. Die Flaschenanschlüsse haben nach der jeweiligen Norm (DIN 477, CGA, AFNOR, etc.), der Gasart entsprechend, unterschiedliche Gewinde. Bitte beachten.

Diese Anleitung ermöglicht den sicheren und effizienten Umgang mit dem Flaschendruckregler.

Die Anleitung ist Bestandteil des Geräts und muss in unmittelbarer Nähe des Geräts für das Personal jederzeit zugänglich aufbewahrt werden. Das Personal muss diese Anleitung vor Beginn aller Arbeiten sorgfältig durchgelesen und verstanden haben. Grundvoraussetzung für sicheres Arbeiten ist die Einhaltung aller angegebenen Sicherheitshinweise und Handlungsanweisungen in dieser Anleitung. Darüber hinaus gelten die örtlichen Unfallverhütungsvorschriften und allgemeinen Sicherheitsbestimmungen für den Einsatzbereich des Geräts. Abbildungen in dieser Anleitung dienen dem grundsätzlichen Verständnis und können von der tatsächlichen Ausführung abweichen.

#### 1.2 INFORMATION ZUM FLASCHENDRUCKREGLER

Flaschendruckregler dieses Typs dürfen nur mit denen als Standardgas definierten Gasen verwendet werden. Der maximale Arbeitsdruck für den C300 beträgt 300 bar, für den C200 200 bar und für den C60 60 bar.

Produkt Linie	(Reinheit 6.0   Messing verchromt)	(Reinheit 6.0   Edelstahl)
Mit FKM Sitz des Abblaseventils	<ul style="list-style-type: none"><li>• Verwendbare Gase (inklusive deren Mischungen):<ul style="list-style-type: none"><li>• Reinstgas</li><li>• Inert</li><li>• Brennbar</li><li>• Brandfördernd</li><li>• O<sub>2</sub></li></ul></li><li>• NICHT verwendbare Gase (inklusive deren Mischungen):<ul style="list-style-type: none"><li>• Ätzend</li><li>• Giftig</li><li>• CO<sub>2</sub>, N<sub>2</sub>O</li></ul></li></ul>	<ul style="list-style-type: none"><li>• Verwendbare Gase (inklusive deren Mischungen):<ul style="list-style-type: none"><li>• Reinstgas</li><li>• Inert</li><li>• Brennbar</li><li>• Brandfördernd (bis 200 bar)</li><li>• Ätzend</li><li>• Giftig</li><li>• Bei Unklarheiten bitte Rücksprache halten</li><li>• Verwendbar für O<sub>2</sub> bis 200 bar</li></ul></li><li>• NICHT verwendbare Gase (inklusive deren Mischungen):<ul style="list-style-type: none"><li>• O<sub>2</sub> über 200 bar</li><li>• CO<sub>2</sub>, N<sub>2</sub>O</li><li>• NH<sub>3</sub>, SO<sub>2</sub>, H<sub>2</sub>S</li></ul></li></ul>
Mit EPDM Sitz des Abblaseventils	<ul style="list-style-type: none"><li>• Verwendbare Gase (inklusive deren Mischungen):<ul style="list-style-type: none"><li>• Reinstgas</li><li>• Inert</li><li>• Brennbar</li><li>• Brandfördernd</li><li>• O<sub>2</sub>, N<sub>2</sub>O</li></ul></li><li>• NICHT verwendbare Gase (inklusive deren Mischungen):<ul style="list-style-type: none"><li>• Ätzend</li><li>• Giftig</li><li>• O<sub>2</sub> (Anteil größer als 21%)</li><li>• Kohlenwasserstoffe</li></ul></li></ul>	<ul style="list-style-type: none"><li>• Verwendbare Gase (inklusive deren Mischungen):<ul style="list-style-type: none"><li>• Reinstgas</li><li>• Inert</li><li>• Brennbar</li><li>• Brandfördernd</li><li>• Ätzend</li><li>• Giftig</li><li>• Bei Unklarheiten bitte Rücksprache halten</li><li>• CO<sub>2</sub>, N<sub>2</sub>O</li><li>• NH<sub>3</sub>, SO<sub>2</sub>, H<sub>2</sub>S</li></ul></li><li>• NICHT verwendbare Gase (inklusive deren Mischungen):<ul style="list-style-type: none"><li>• O<sub>2</sub> (Anteil größer als 21%)</li><li>• Kohlenwasserstoffe</li></ul></li></ul>



Diese Tabelle erhebt keinen Anspruch auf Vollständigkeit. Bei Fragen und Unklarheiten kontaktieren Sie bitte den Hersteller.

Es gibt ein- und zweistufige Flaschendruckregler mit Metallmembran in 6-Port Ausführung. Hergestellt und zugelassen nach ISO7291 inklusive Sauerstoff-Ausbrenntest (siehe Tabelle Absatz 1.2).

Der Flaschendruckregler besteht aus Druckreglerkörper, Eingangs- und Ausgangsmanometer, Flaschenanschluss sowie einem Abblaseventil. Er ist mit diversen Anschlussverschraubungen und/ oder mit diversen

**Zusatzkomponenten wie z.B.**


- Absperrventil am Ausgang (A)
- Regelventil am Ausgang (B)
- Spülventil am Eingang und Absperrventil am Ausgang (P)
- Spülventil am Ausgang (DP)
- Fremdgas Spülventil am Eingang (TP).
- Fremdgas Spülventil am Eingang und Absperrventil am Ausgang (TPA), nur in der Edelstahlausführung.
- Fremdgas Spülventil am Eingang und Regelventil am Ausgang (TPB), nur in der Edelstahlausführung.
- Dreifach Spülblock am Eingang (EP), nur in der Edelstahlausführung
- Dreifach Spülblock am Eingang und Absperrventil am Ausgang (EPA), nur in der Edelstahlausführung
- Dreifach Spülblock am Eingang und Regelventil am Ausgang (EPB), nur in der Edelstahlausführung erhältlich.

Die Ausführungen **C200/1 TP, C200/1 TPA, C200/1 TPB, C200/2 TP, C200/2 TPA and C200/2 TPB** erlauben die Spülung des Druckreglers mit Fremdgas. Die Ausführungen **C200/1 EP, C200/1 EPA und C200/1 EPB** erlauben die Spülung des Druckreglers mit dem Dreifachspülblock. Sie sind damit insbesondere geeignet für ätzende und giftige Gase.

Flaschendruckregler mit Spülmöglichkeit ermöglichen die Trocknung der Armatur bzw. das Entfernen feuchter Atmosphärenluft, die vor der Inbetriebnahme oder beim Flaschenwechsel in den Druckregler eingedrungen sein kann. Mithilfe eines Dreifachspülblocks oder eines Fremdgasspülventils kann die Armatur von giftigen, ätzenden oder selbstentzündlichen Gasen vor Außerbetriebnahme frei gespült werden.

DE

### 1.3 SYMBOLERKLÄRUNG

SICHERHEITSHINWEISE	Sicherheitshinweise sind in dieser Anleitung durch Symbole gekennzeichnet. Die Sicherheitshinweise werden durch Signalworte eingeleitet, die das Ausmaß der Gefährdung zum Ausdruck bringen.
	<b>GEFAHR!</b> Diese Kombination aus Symbol und Signalwort weist auf eine unmittelbar gefährliche Situation hin, die zum Tod oder zu schweren Verletzungen führt, wenn sie nicht gemieden wird.
	<b>WARNUNG!</b> Diese Kombination aus Symbol und Signalwort weist auf eine möglicherweise gefährliche Situation hin, die zum Tod oder zu schweren Verletzungen führen kann, wenn sie nicht gemieden wird.
	<b>VORSICHT!</b> Diese Kombination aus Symbol und Signalwort weist auf eine möglicherweise gefährliche Situation hin, die zu geringfügigen oder leichten Verletzungen führen kann, wenn sie nicht gemieden wird.
	<b>HINWEIS!</b> Diese Kombination aus Symbol und Signalwort weist auf eine möglicherweise gefährliche Situation hin, die zu Sach- und Umweltschäden führen kann, wenn sie nicht gemieden wird.
	<b>TIPPS UND EMPFEHLUNGEN</b> Dieses Symbol hebt nützliche Tipps und Empfehlungen sowie Informationen für einen effizienten und störungsfreien Betrieb hervor.

---

## BESONDERE HINWEISE

Um auf besondere Gefahren aufmerksam zu machen, werden in Sicherheitshinweisen folgende Symbole eingesetzt.

---



### GEFAHR!

Diese Kombination aus Symbol und Signalwort weist auf eine unmittelbar gefährliche Situation durch elektrischen Strom hin. Wird ein so gekennzeichnete Hinweis nicht beachtet, sind schwere oder tödliche Verletzungen die Folge.

---

DE

## 1.4 HAFTUNGSBESCHRÄNKUNG

Alle Angaben und Hinweise in dieser Anleitung wurden unter Berücksichtigung der geltenden Normen und Vorschriften, des Stands der Technik sowie unserer langjährigen Erkenntnisse und Erfahrungen zusammengestellt. In folgenden Fällen übernimmt der Hersteller für Schäden keine Haftung:

- Nichtbeachtung dieser Anleitung
- bei von der bestimmungsgemäßen abweichenden Verwendung
- Einsatz von nicht ausgebildetem Personal
- eigenmächtige technische und bauliche Veränderungen
- Verwendung nicht zugelassener Ersatzteile
- Betreiben des druckführenden Gerätes bei defekten Sicherheitseinrichtungen oder nicht funktionsgemäß angebrachten oder nicht funktionsfähigen Sicherheits- und Schutzvorrichtungen
- mangelhafte Überwachung von Ausrüstungs-, Verschraubungs- und Dichtungsteilen, die einem Verschleiß unterliegen
- unsachgemäß durchgeführte Reparaturen
- Überschreitung oder Unterschreitung des im Datenblatt angegebenen Temperaturbereichs während des Betriebes bzw. während der Lagerung
- Katastrophenfälle durch Fremdkörpereinwirkung und höhere Gewalt

Der tatsächliche Lieferumfang kann bei Sonderausführungen, der Inanspruchnahme zusätzlicher Bestelloptionen oder aufgrund neuester technischer Änderungen von den hier beschriebenen Erläuterungen und Darstellungen abweichen. Es gelten die im Liefervertrag vereinbarten Verpflichtungen, die allgemeinen Geschäftsbedingungen sowie die Lieferbedingungen des Herstellers und die zum Zeitpunkt des Vertragsabschlusses gültigen gesetzlichen Regelungen.

## 1.5 URHEBERSCHUTZ

Die Inhalte dieser Anleitung sind urheberrechtlich geschützt. Ihre Verwendung ist im Rahmen der Nutzung des Geräts zulässig. Eine darüber hinausgehende Verwendung ist ohne schriftliche Genehmigung des Herstellers nicht gestattet.

## 1.6 ERSATZTEILE



### WARNUNG!

- Verletzungsgefahr durch die Verwendung falscher Ersatzteile!
- Durch die Verwendung falscher oder fehlerhafter Ersatzteile können Gefahren für das Personal entstehen sowie Beschädigungen, Fehlfunktionen oder Totalausfall verursacht werden.
- Nur Originalersatzteile des Herstellers oder vom Hersteller zugelassene Ersatzteile verwenden.
- Bei Unklarheiten stets Hersteller kontaktieren.



### GARANTIEVERUST!

- Bei Verwendung nicht zugelassener Ersatzteile erlischt die Herstellergarantie

## 1.7 GEWÄHRLEISTUNGSBESTIMMUNGEN

Grundsätzlich gelten unsere "Allgemeinen Verkaufs- und Lieferbedingungen". Diese stehen dem Kunden spätestens seit Vertragsabschluss zur Verfügung.

## 1.8 KUNDENSERVICE

Wir sind stets an Informationen und Erfahrungen interessiert, die sich aus der Anwendung ergeben und für die Verbesserung unserer Produkte wertvoll sein können.

## 2. SICHERHEIT

Dieser Abschnitt gibt einen Überblick über alle wichtigen Sicherheitsaspekte für den Schutz von Personen sowie für den sicheren und störungsfreien Betrieb. Weitere aufgabenbezogene Sicherheitshinweise sind in den Abschnitten zu den einzelnen Lebensphasen enthalten.

### 2.1 BESTIMMUNGSGEMÄSSE VERWENDUNG

Die Flaschendruckregler vom Typ C300, C200 und C60 sind nur für die angegebenen Gase und Drücke unter Einhaltung der angegebenen Temperaturen zu verwenden. Der nominale Volumenstrom beträgt nach ISO 2503 20 m<sup>3</sup>/h (Druckluft). Zur bestimmungsgemäßen Verwendung gehören auch die Einhaltung aller Angaben und Hinweise in dieser Anleitung und die Einhaltung der Inspektions- und Wartungsarbeiten, sowie das Beachten des Typenschildes und der Datenblätter. Jede über die bestimmungsgemäße Verwendung hinausgehende oder andersartige Benutzung gilt als Fehlgebrauch.

DE



#### WARNUNG!

- **Gefahr bei Fehlgebrauch!**
- Fehlgebrauch der Flaschendruckregler kann zu gefährlichen Situationen führen.
- Niemals die Flaschendruckregler als Durchflussregelelement oder als Absperrventil verwenden.
- Niemals den Flaschendruckregler für Flüssigkeiten verwenden.

#### 2.1.1. BAULICHE VERÄNDERUNG AM FLASCHENDRUCKREGLER

Ohne schriftliche Genehmigung des Herstellers keine Veränderung, An- oder Umbauten am Flaschendruckregler vornehmen.

Flaschendruckregler in nicht einwandfreiem Zustand sind sofort auszutauschen

Reinigung der Gasgeräte und Entsorgung der Rückstände

Verwendete zur Reparatur anstehende Flaschendruckregler sind mit einem inerten Gas (Stickstoff) zu spülen.

Geräuscentwicklung

In einigen Fällen kann das ungünstige Zusammenwirken bestimmter Einflussgrößen, wie z.B. Durchfluss und Druckbereich, aber auch die Gasart selbst zu Geräuscentwicklung führen. Bitte setzen Sie sich in diesen Fällen mit dem Hersteller in Verbindung.

### 2.2 GRUNDSÄTZLICHE GEFAHREN

Im folgenden Abschnitt sind Restrisiken benannt, die vom Gerät auch bei bestimmungsgemäßer Verwendung ausgehen können. Um die Risiken von Personen- und Sachschäden zu reduzieren und gefährliche Situationen zu vermeiden, müssen die hier aufgeführten Sicherheitshinweise und die Sicherheitshinweise in den weiteren Abschnitten dieser Anleitung beachtet werden.



#### GEFAHR!

- **Gase können lebensgefährlich sein!**
- Gase können die Luft verdrängen und damit den darin enthaltenen Sauerstoff. Dies kann zum Erstickungstod führen. Sauerstoff bildet eine hoch oxidative Atmosphäre. Entzündbare Gase können eine explosive Atmosphäre bilden.

DAHER:

- Für ausreichende Belüftung sorgen!
- Installation nur durch eine zertifizierte Fachfirma!
- ATEX Richtlinien beachten



#### ACHTUNG!

- **Gefahren die durch die Umgebung entstehen können!**
- Durch Kondensation und/ oder Vereisung können defekte am Gerät entstehen.

DAHER:

- Temperaturbereiche beachten!
- Schützen Sie das Gerät gegen Flüssigkeiten von außen!
- Schützen Sie das Gerät gegen Staub von außen!
- Wettergeschützt montieren!
- Vorhandene Erdung sachgemäß anbringen!



**WARNUNG!**

- **Unfallgefahr bei der Verwendung von Öl und Fett!**
- Öle und Fette dürfen in Druckregelsystemen grundsätzlich nicht verwendet werden. Öle und Fette sind hochentzündlich und reagieren heftig mit bestimmten komprimierten Gasen.

DAHER:

- Keinesfalls Öl und Fett einsetzen!



**WARNUNG!**

- **Unfallgefahr durch im System gespeicherte Energie!**
- Durch falsche Handhabung können drucktragende Teile oder Einzelteile dieser unkontrolliert in Bewegung geraten und ernsthafte oder sogar tödliche Verletzungen verursachen. Durch falsche Handhabung kann Gas aus den drucktragenden Teilen austreten und ernsthafte oder sogar tödliche Verletzungen hervorrufen.

VOR BEGINN ALLER ARBEITEN MIT DRUCKTRAGENDEN TEILEN:

- Installation nur durch eine zertifizierte Fachfirma!
- Schutzbrille tragen!
- Gehörschutz tragen!
- Sicherstellen, dass System nicht unter Druck steht!
- Sicherstellen, dass keine Energie mehr im System gespeichert ist!
- Sicherstellen, dass kein Gas ungewollt austreten kann!
- Sicherstellen, dass defekte Teile unmittelbar durch geschultes Personal ausgetauscht werden!



**WARNUNG!**

- **Unfallgefahr!**
- Durch falsche Installation kann es zu ernsthafte oder sogar tödliche Verletzungen kommen.

DAHER:

- Sicherung der Geräte vor Herunterfallen während der Installation!
- Geräte nicht werfen!

Drucktragende Teile sind nur für die bestimmungsgemäße Verwendung zu benutzen.

Bei mechanischer Beschädigung der Rohrleitungen und Armaturen muss das System in den sicheren Zustand gebracht werden (betroffenen Abschnitt sperren).

Störungen, welche die Sicherheit beeinträchtigen können, sind umgehend durch dafür geschulte und qualifizierte Mitarbeiter bzw. den Hersteller zu beseitigen.

Besonders bei Gasen besteht die Gefahr eines Defektes am Leitungsdruckregler. Kennzeichen dafür sind entweder kein Gasdurchfluss nach dem Druckregler oder ein plötzlicher Hinterdruckanstieg. Bei Defekt des Druckreglers ist das System sofort außer Betrieb zu nehmen. Die zuständige Wartungsfirma ist unbedingt zu informieren. Nie Abblaseleitungen verschließen.

## 2.3 VERANTWORTUNG DES BETREIBERS

### BETREIBER

Betreiber ist diejenige Person, die das Gerät zu gewerblichen oder wirtschaftlichen Zwecken selbst betreibt oder einem Dritten zur Nutzung/Anwendung überlässt und während des Betriebs die rechtliche Produktverantwortung für den Schutz des Benutzers, des Personals oder Dritter trägt.

### BETREIBERPFLICHTEN

Das Gerät wird im gewerblichen Bereich eingesetzt. Der Betreiber des Geräts unterliegt daher den gesetzlichen Pflichten zur Arbeitssicherheit.

Neben den Sicherheitshinweisen in dieser Anleitung müssen die für den Einsatzbereich des Geräts gültigen Sicherheits-, Unfallverhütungs- und Umweltschutzvorschriften eingehalten werden.

### DABEI GILT INSBESONDERE FOLGENDES:

- Der Betreiber muss sich über die geltenden Arbeitsschutzbestimmungen informieren und in einer Gefährdungsbeurteilung zusätzlich Gefahren ermitteln, die sich durch die speziellen Arbeitsbedingungen am Einsatzort des Geräts ergeben. Diese muss er in Form von Betriebsanweisungen für den Betrieb des Geräts umsetzen.
- Der Betreiber muss während der gesamten Einsatzzeit des Geräts prüfen, ob die von ihm erstellten Betriebsanweisungen dem aktuellen Stand der Regelwerke entsprechen, und diese, falls erforderlich, anpassen.

- Der Betreiber muss die Zuständigkeiten für Installation, Bedienung, Störungsbeseitigung, Wartung und Reinigung eindeutig regeln und festlegen.
- Der Betreiber muss dafür sorgen, dass alle Personen, die mit dem Gerät umgehen, diese Anleitung gelesen und verstanden haben. Darüber hinaus muss er das Personal in regelmäßigen Abständen schulen und über die Gefahren informieren.
- Der Betreiber muss dem Personal die erforderliche Schutzausrüstung bereitstellen und das Tragen der erforderlichen Schutzausrüstung verbindlich anweisen.
- Darüber hinaus ist der Betreiber dafür verantwortlich, dass die volle technische Zuverlässigkeit der Anlage jederzeit gewährleistet ist.

*DABEI GILT INSBESONDERE FOLGENDES:*

- Der Betreiber muss die Einhaltung der in dieser Anleitung angegebenen Wartungsintervalle sicherstellen.
- Der Betreiber muss sicherstellen, dass alle Sicherheitseinrichtungen regelmäßig auf Funktionssicherheit überprüft werden und Vollständigkeit

## 2.4 PERSONALANFORDERUNGEN

### 2.4.1. QUALIFIKATIONEN

Die verschiedenen in dieser Anleitung beschriebenen Aufgaben stellen unterschiedliche Anforderungen an die Qualifikation der Personen, die mit diesen Aufgaben betraut sind.



#### WARNUNG!

- **Gefahr bei unzureichender Qualifikation von Personen!**
- Unzureichend qualifizierte Personen können die Risiken beim Umgang mit dem Gerät nicht einschätzen und setzen sich und andere der Gefahr schwerer oder tödlicher Verletzungen aus.
- Alle Arbeiten nur von dafür qualifizierten Personen durchführen lassen!
- Unzureichend qualifizierte Personen aus dem Arbeitsbereich fernhalten!

Für alle Arbeiten sind nur Personen zugelassen, von denen zu erwarten ist, dass sie diese Arbeiten zuverlässig ausführen. Personen, deren Reaktionsfähigkeit beeinflusst ist, z. B. durch Drogen, Alkohol oder Medikamente, sind nicht zugelassen.

In dieser Anleitung werden die im Folgenden aufgeführten Qualifikationen der Personen für die verschiedenen Aufgaben benannt:

#### *GASTECHNIK-INGENIEUR*

Besitz Fachausbildung, Fähigkeiten, Erfahrung und Wissen bezüglich relevanter Normen und Richtlinien um Arbeiten an Druckregelsystemen vornehmen zu können und potentielle Risiken zu erkennen. Gastechnik-Ingenieure sind speziell geschult im Hinblick auf die jeweilige Produktionsstätte und deren spezifische Standards und Richtlinien.

#### *TECHNIKER*

Besitz Fachausbildung, Fähigkeiten, und Erfahrung bezüglich relevanter Normen und Richtlinien um Arbeiten an Druckregelsystemen vornehmen zu können und potentielle Risiken zu erkennen.

### 2.4.2. UNBEFUGTE



#### WARNUNG!

- **Lebensgefahr für Unbefugte durch Gefahren im Gefahren- und Arbeitsbereich!**
- Unbefugte Personen, die die hier beschriebenen Anforderungen nicht erfüllen, kennen die Gefahren im Arbeitsbereich nicht. Daher besteht für Unbefugte die Gefahr schwerer Verletzungen bis hin zum Tod.
- Unbefugte Personen vom Gefahren- und Arbeitsbereich fernhalten!
- Im Zweifel Personen ansprechen und sie aus dem Gefahren- und Arbeitsbereich weisen!
- Die Arbeiten unterbrechen, solange sich Unbefugte im Gefahren- und Arbeitsbereich aufhalten!

### 2.4.3. UNTERWEISUNG

Der Besitzer muss das Personal regelmäßig unterweisen. Zur besseren Nachverfolgung muss ein Unterweisungsprotokoll mit folgenden Mindestinhalten erstellt werden:

- Datum der Unterweisung
- Name des Unterwiesenen
- Inhalte der Unterweisung
- Name des Unterweisenden
- Unterschriften des Unterwiesenen und des Unterweisenden

## 2.5 PERSÖNLICHE SCHUTZAUSRÜSTUNG

Persönliche Schutzausrüstung dient dazu, Personen vor Beeinträchtigungen der Sicherheit und Gesundheit bei der Arbeit zu schützen.

Das Personal muss während der verschiedenen Arbeiten an und mit dem Gerät persönliche Schutzausrüstung tragen, auf die in den einzelnen Abschnitten dieser Anleitung gesondert hingewiesen wird.

DE



### ATEMSCHUTZGERÄT, UMLUFTUNABHÄNGIG

Schutz vor schädlichen Gasen, Dämpfen, Stäuben und ähnlichen Stoffen. Atemschutzgeräte wie z.B. Pressluftatmer müssen eingesetzt werden, wenn ein Sauerstoffgehalt von über 17% in der Umgebungsluft nicht garantiert werden kann und/oder ein Überschreiten der zulässigen Grenzwerte schädlicher Stoffe in der Umgebungsluft nicht ausgeschlossen werden kann. Umluftunabhängige Atemschutzgeräte dürfen nur von speziell geschultem Personal getragen werden.



### ATEMSCHUTZGERÄT, UMLUFTUNABHÄNGIG

Schutz vor schädlichen Gasen, Dämpfen, Stäuben und ähnlichen Stoffen. Umluftabhängige Atemschutzgeräte müssen eingesetzt werden, wenn ein Überschreiten der zulässigen Grenzwerte schädlicher Stoffe in der Umgebungsluft nicht ausgeschlossen werden kann. Umluftabhängige Atemschutzgeräte dürfen nur bei einem garantierten Sauerstoffgehalt in der Atemluft von über 17% eingesetzt werden.



### SCHUTZBRILLE

Schutz vor umherfliegenden Teilen und Tropfen.



### HANDSCHUHE, CHEMISCH RESISTENT

Schutz der Hände vor aggressiven Substanzen. Es ist auf Dichtigkeit der Handschuhe acht zu geben. Nach Gebrauch Handschuhe fachgerecht entsorgen.



### SCHUTZHANDSCHUHE

Schutz der Hände vor mechanischen Einflüssen und heißen sowie kalten Oberflächen.



### GEHÖRSCHUTZ TRAGEN

Schützt das Gehör vor zu lauten Geräuschen und beugt Schalltraumata vor.

## 2.6 VERHALTEN BEI FEUERAUSBRUCH UND BEI UNFÄLLEN

### VORBEUGENDE MASSNAHMEN

- Stets auf Feuer und Unfälle vorbereitet sein!
- Erste-Hilfe-Einrichtungen (Verbandkasten, Decken usw.) und Feuerlöscheinrichtungen funktionstüchtig und griffbereit aufbewahren.
- Personal mit Unfallmelde-, Erste-Hilfe- und Rettungseinrichtungen vertraut machen.
- Zufahrtswege für Rettungsfahrzeuge freihalten.

### MASSNAHMEN BEI FEUERAUSBRUCH UND UNFÄLLEN

- Wenn keine Gefahr für die eigene Gesundheit besteht, Personen aus der Gefahrenzone bergen.
- Falls erforderlich Erste-Hilfe-Maßnahmen einleiten.
- Feuerwehr und/oder Rettungsdienst alarmieren.
- Bei Feuerausbruch: Wenn keine Gefahr für die eigene Gesundheit besteht, Feuer mit Feuerlöscheinrichtungen bekämpfen und Feuerbekämpfung bis zum Eintreffen der Feuerwehr fortsetzen.
- Verantwortlichen am Einsatzort informieren.
- Zufahrtswege für Rettungsfahrzeuge freimachen.
- Rettungsfahrzeuge einweisen.

DE

## 2.7 UMWELTSCHUTZ



### HINWEIS!

- **Gefahr für die Umwelt durch falsche Handhabung von umweltgefährdenden Stoffen!**
- Bei falschem Umgang mit umweltgefährdenden Stoffen, insbesondere bei falscher Entsorgung, können erhebliche Schäden für die Umwelt entstehen.
- Die unten genannten Hinweise zum Umgang mit umweltgefährdenden Stoffen und deren Entsorgung stets beachten!
- Wenn umweltgefährdende Stoffe versehentlich in die Umwelt gelangen, sofort geeignete Maßnahmen ergreifen. Im Zweifel die zuständige Kommunalbehörde über den Schaden informieren und geeignete zu ergreifende Maßnahmen erfragen!

## 2.8 BESCHILDERUNG



### WARNUNG!

- **Gefahr bei unleserlicher Beschilderung!**
- Im Laufe der Zeit können Aufkleber und Schilder verschmutzen oder auf andere Weise unkenntlich werden, so dass Gefahren nicht erkannt und notwendige Bedienungshinweise nicht befolgt werden können. Dadurch besteht Verletzungsgefahr.
- Alle Sicherheits-, Warn- und Bedienungshinweise in stets gut lesbarem Zustand halten.
- Beschädigte Schilder oder Aufkleber sofort erneuern.

### 2.8.1. GEBOTZEICHEN

- keine Zeichen

### 2.8.2. VERBOTZEICHEN

- keine Zeichen

### 2.8.3. WARNZEICHEN



WARNUNG VOR GASFLASCHEN



WARNUNG VOR  
EXPLOSIONSFÄHIGER  
ATMOSPÄRE



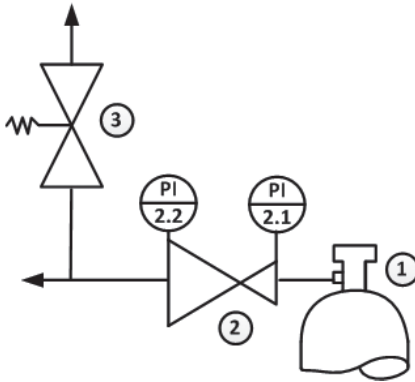
WARNUNG VOR GIFTIGEN UND/  
ODER KORROSIVEN STOFFEN

### 3. TECHNISCHE DATEN

#### 3.1 FLIESSSCHEMA – EINSTUFIGE VERSION

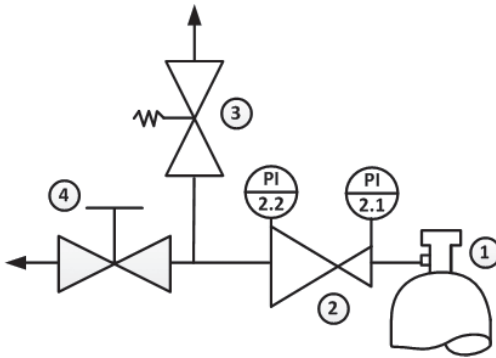
C300/1 | C200/1 | C60/1

DE



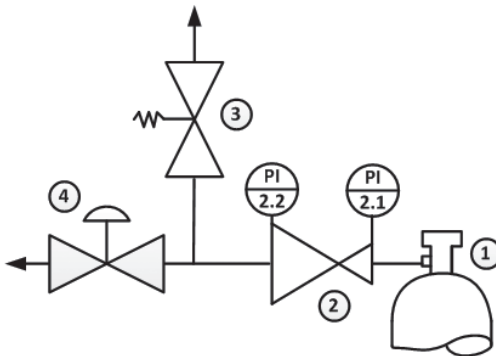
- 1 – GASFLASCHE
- 2 – DRUCKREGLER
- 3 – ABBLASEVENTIL

C300/1 A | C200/1 A | C60/1 A



- 1 – GASFLASCHE
- 2 – DRUCKREGLER
- 3 – ABBLASEVENTIL
- 4 – ABSPERRVENTIL

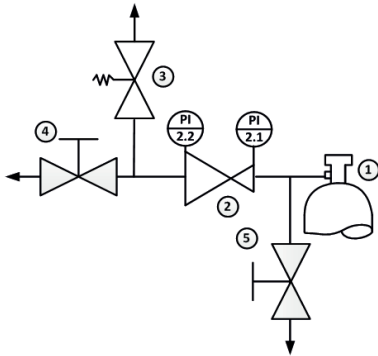
C300/1 B | C200/1 B | C60/1 B



- 1 – GASFLASCHE
- 2 – DRUCKREGLER
- 3 – ABBLASEVENTIL
- 4 – REGULIERVENTIL



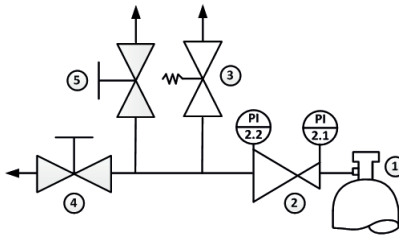
C300/1 P | C200/1 P | C60/1 P



- 1 – GASFLASCHE
- 2 – DRUCKREGLER
- 3 – ABLASEVENTIL
- 4 – ABSPERRVENTIL
- 5 – SPÜLVENTIL

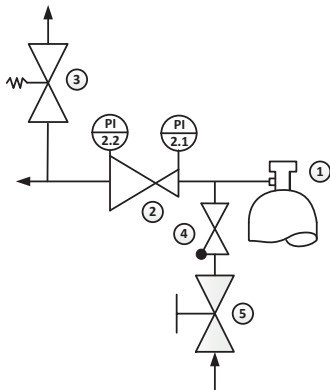
DE

C200/1 DP



- 1 – GASFLASCHE
- 2 – DRUCKREGLER
- 3 – ABLASEVENTIL
- 4 – ABSPERRVENTIL
- 5 – AUSGANGSSPÜLVENTIL

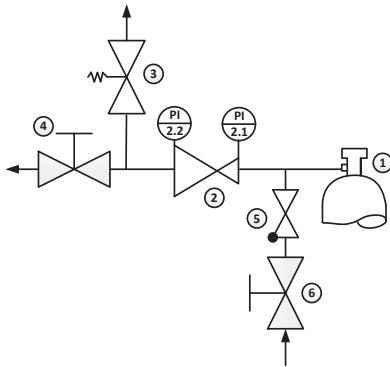
C200/1 TP



- 1 – GASFLASCHE
- 2 – DRUCKREGLER
- 3 – ABLASEVENTIL
- 4 – RÜCKSCHLAGVENTIL
- 5 – FREMDGAS SPÜLVENTIL

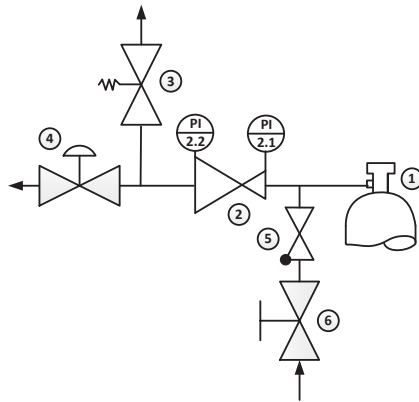
DE

### C200/1 TPA



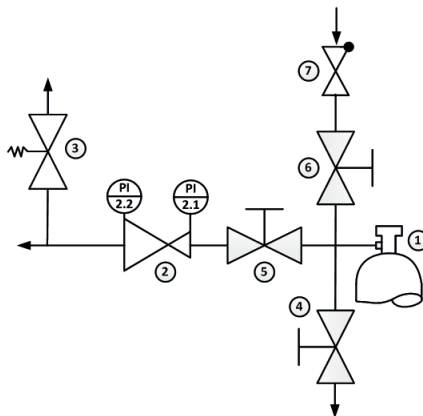
- 1 – GASFLASCHE
- 2 – DRUCKREGLER
- 3 – ABLASEVENTIL
- 4 – Absperrventil
- 5 – RÜCKSCHLAGVENTIL
- 6 – FREMDGAS SPÜLVENTIL

### C200/1 TPB



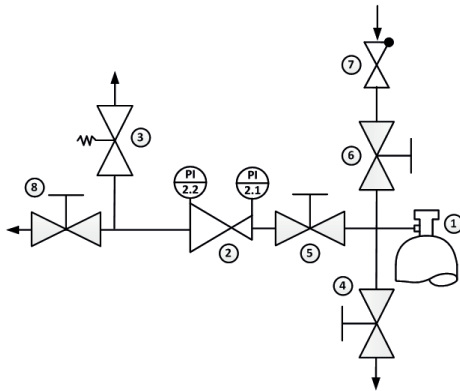
- 1 – GASFLASCHE
- 2 – DRUCKREGLER
- 3 – ABLASEVENTIL
- 4 – REGULIERVENTIL
- 5 – RÜCKSCHLAGVENTIL
- 6 – FREMDGAS SPÜLVENTIL

### C200/1 EP



- 1 – GASFLASCHE
- 2 – DRUCKREGLER
- 3 – ABLASEVENTIL
- 4 – AUSGANGS FREMDGASSPÜLVENTIL
- 5 – EINGANGSABSPERRVENTIL
- 6 – EINGANGS FREMDGASSPÜLVENTIL
- 7 – RÜCKSCHLAGVENTIL

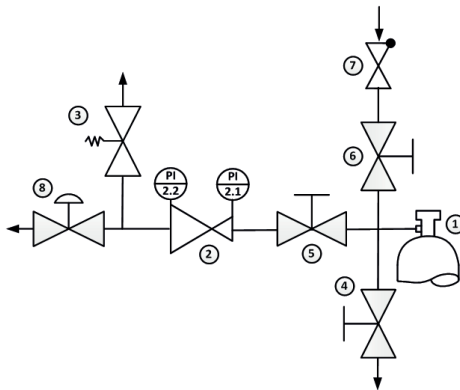
### C200/1 EPA



- 1 – GASFLASCHE
- 2 – DRUCKREGLER
- 3 – ABLASEVENTIL
- 4 – AUSGANGS FREMDGASSPÜLVENTIL
- 5 – EINGANGSABPSERRVENTIL
- 6 – EINGANGS FREMDGASSPÜLVENTIL
- 7 – RÜCKSCHLAGVENTIL
- 8 – ABSPERRVENTIL

DE

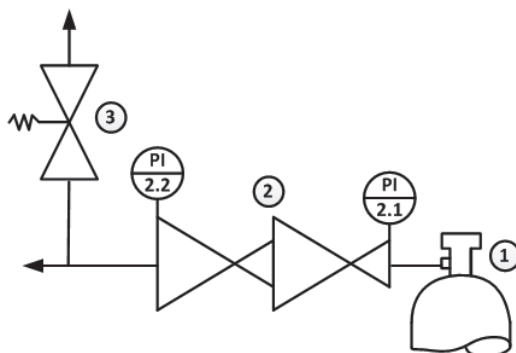
### C200/1 EPB



- 1 – GASFLASCHE
- 2 – DRUCKREGLER
- 3 – ABLASEVENTIL
- 4 – AUSGANGS FREMDGASSPÜLVENTIL
- 5 – EINGANGSABPSERRVENTIL
- 6 – EINGANGS FREMDGASSPÜLVENTIL
- 7 – RÜCKSCHLAGVENTIL
- 8 – REGULIERVENTIL

## 3.2 FLIESSSCHEMA – ZWEISTUFIGE VERSION

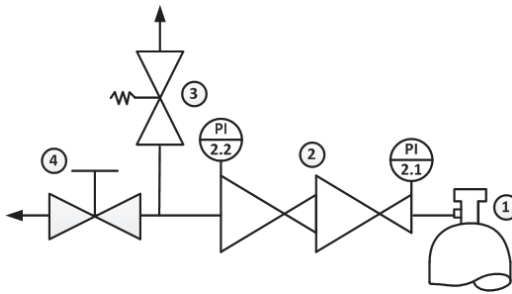
### C300/2 | C200/2



- 1 – GASFLASCHE
- 2 – DRUCKREGLER
- 3 – ABLASEVENTIL

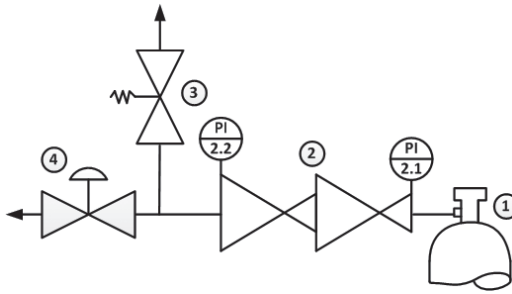
C300/2 A | C200/2 A

DE



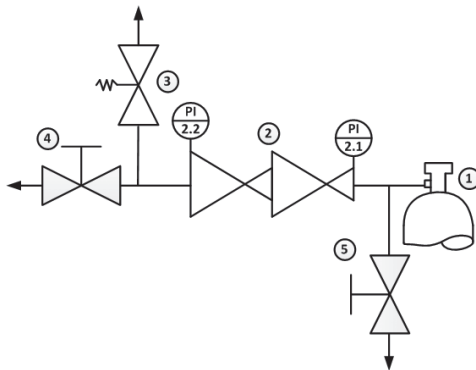
- 1 – GASFLASCHE
- 2 – DRUCKREGLER
- 3 – ABBLASEVENTIL
- 4 – ABSPERRVENTIL

C300/2 B | C200/2 B



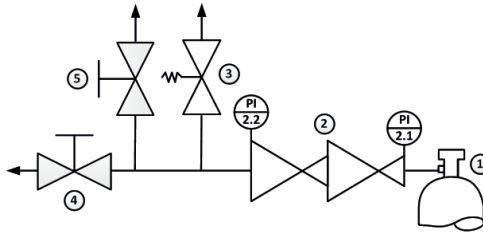
- 1 – GASFLASCHE
- 2 – DRUCKREGLER
- 3 – ABBLASEVENTIL
- 4 – REGULIERVENTIL

C300/2 P | C200/2 P



- 1 – GASFLASCHE
- 2 – DRUCKREGLER
- 3 – ABBLASEVENTIL
- 4 – ABSPERRVENTIL
- 5 – SPÜLVENTIL

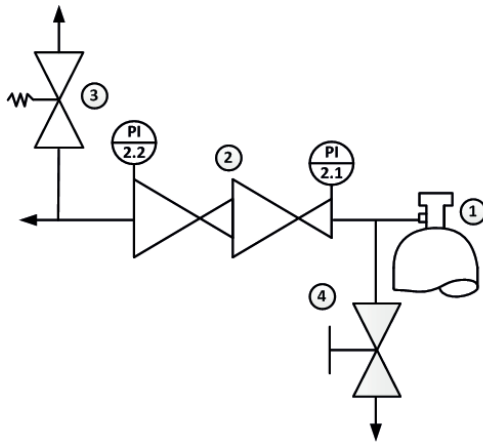
C200/2 DP



- 1 – GASFLASCHE
- 2 – DRUCKREGLER
- 3 – ABBLASEVENTIL
- 4 – ABSPERRVENTIL
- 5 – AUSGANGSSPÜLVENTIL

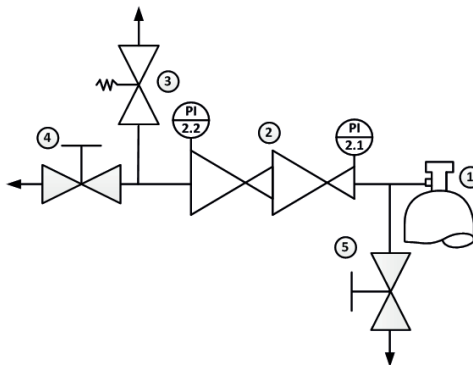
DE

C200/2 TP



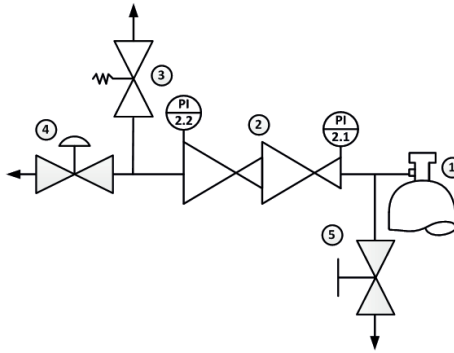
- 1 – GASFLASCHE
- 2 – DRUCKREGLER
- 3 – ABBLASEVENTIL
- 4 – SPÜLVENTIL

C200/2 TPA



- 1 – GASFLASCHE
- 2 – DRUCKREGLER
- 3 – ABBLASEVENTIL
- 4 – ABSPERRVENTIL
- 5 – SPÜLVENTIL

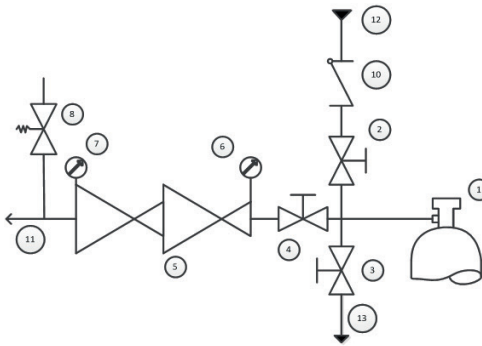
### C200/2 TPB



- 1 – GASFLASCHE
- 2 – DRUCKREGLER
- 3 – ABLASEVENTIL
- 4 – REGULIERVENTIL
- 5 – SPÜLVENTIL

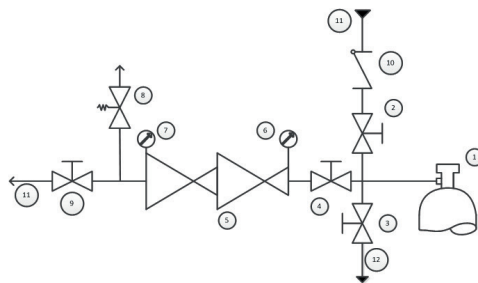
DE

### C200/2 EP



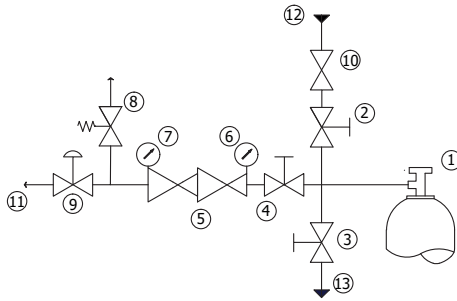
- 1 – FLASCHENANSCHLUSS
- 2 – EINGANGSSPÜLVENTIL
- 3 – AUSGANGSSPÜLVENTIL
- 4 – HOCHDRUCK ABSPERVENTIL
- 5 – DRUCKREGLER
- 6 – EINGANGSMANOMETER
- 7 – AUSGANGSMANOMETER
- 8 – ABLASEVENTIL
- 9 – RÜCKSCHLAGVENTIL
- 10 – AUSGANG PROZESSGAS
- 11 – SPÜLEINGANG
- 12 – SPÜLAUSGANG

### C200/2 EPA



- 1 – FLASCHENANSCHLUSS
- 2 – EINGANGSSPÜLVENTIL
- 3 – AUSGANGSSPÜLVENTIL
- 4 – HOCHDRUCK ABSPERVENTIL
- 5 – DRUCKREGLER
- 6 – EINGANGSMANOMETER
- 7 – AUSGANGSMANOMETER
- 8 – ABLASEVENTIL
- 9 – AUSGANGSABSPERRVENTIL
- 10 – RÜCKSCHLAGVENTIL
- 11 – AUSGANG PROZESSGAS
- 12 – SPÜLEINGANG
- 13 – SPÜLAUSGANG

## C200/2 EPB

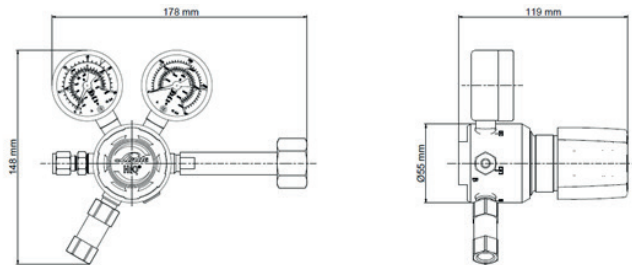


- 1 – FLASCHENANSCHLUSS
- 2 – EINGANGSSPÜLVENTIL
- 3 – AUSGANGSSPÜLVENTIL
- 4 – HOCHDRUCK ABSPERVENTIL
- 5 – DRUCKREGLER
- 6 – EINGANGSMANOMETER
- 7 – AUSGANGSMANOMETER
- 8 – ABBLASEVENTIL
- 9 – REGULIERVENTIL
- 10– RÜCKSCHLAGVENTIL
- 11– AUSGANG PROZESSGAS
- 12– SPÜLEINGANG
- 13– SPÜLAUSGANG

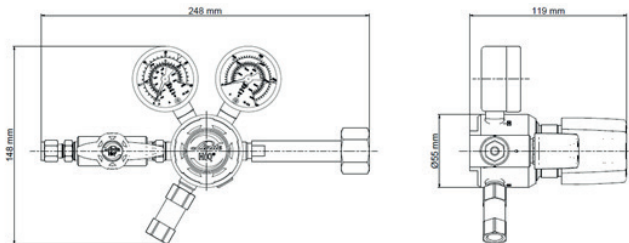
DE

## 3.3 MASSBLATT

### EINSTUFIG

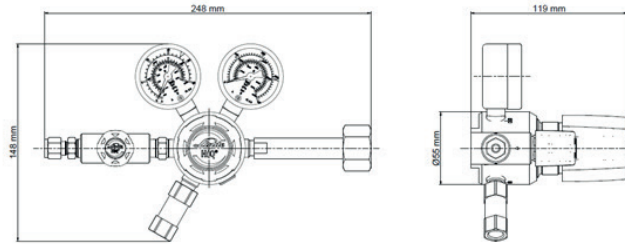


### VERSION A | EINSTUFIG

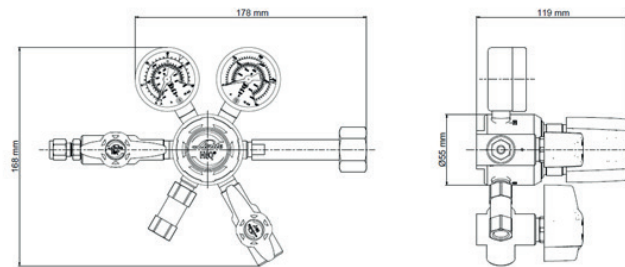


DE

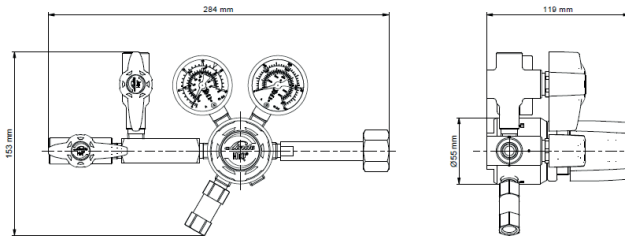
### VERSION B | EINSTUFIG



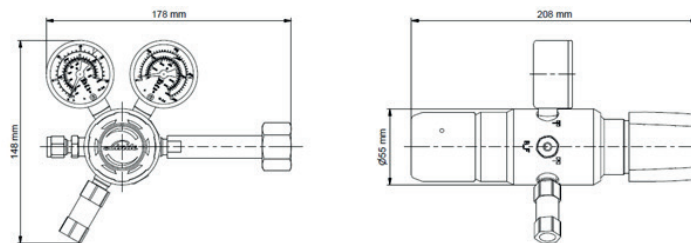
### VERSION P | EINSTUFIG



### VERSION DP | EINSTUFIG

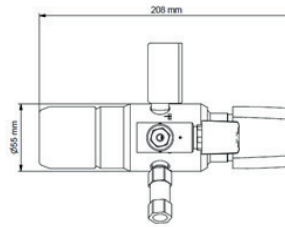
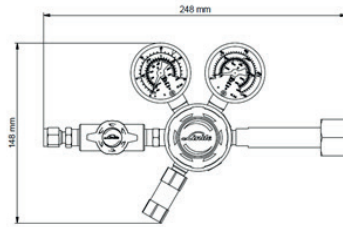


### ZWEISTUFIG



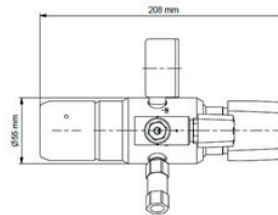
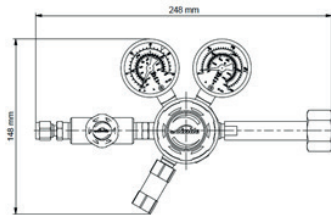


### VERSION A | ZWEISTUFIG

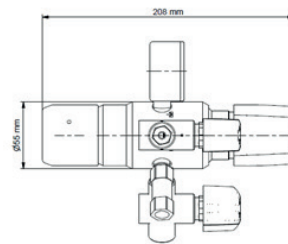
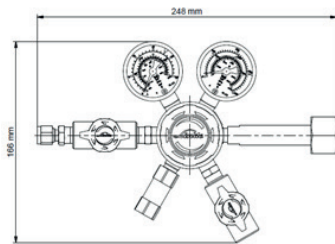


DE

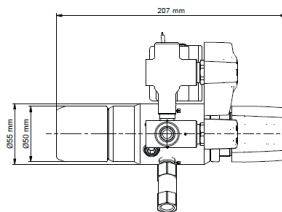
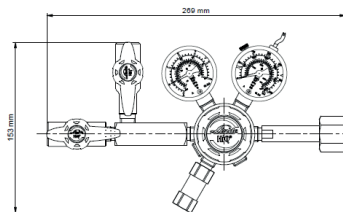
### VERSION B | ZWEISTUFIG



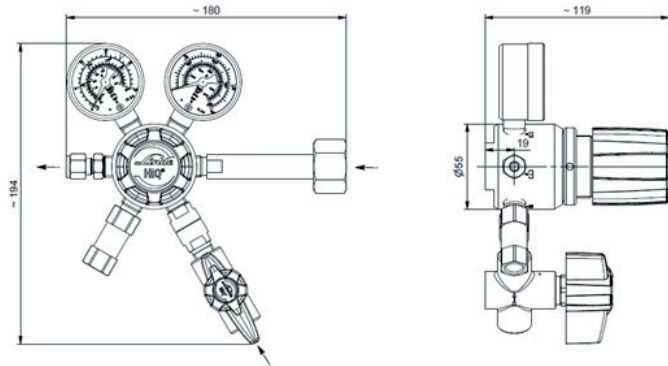
### VERSION P | ZWEISTUFIG



### VERSION DP | ZWEISTUFIG

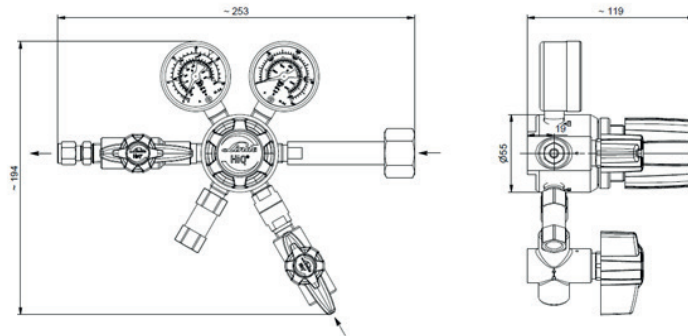


### VERSION TP | EINSTUFIG

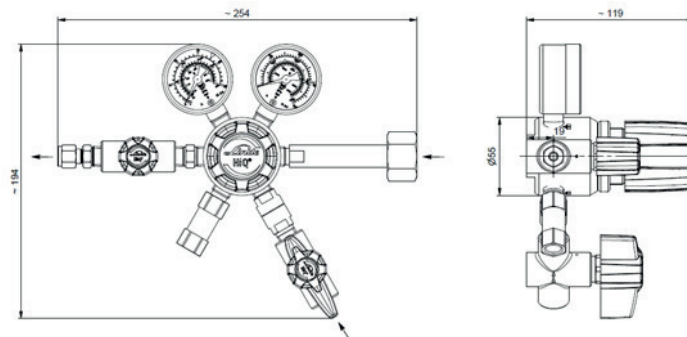


DE

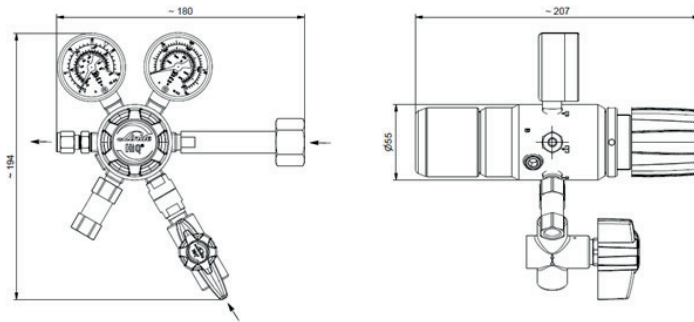
### VERSION TPA | EINSTUFIG



### VERSION TPB | EINSTUFIG

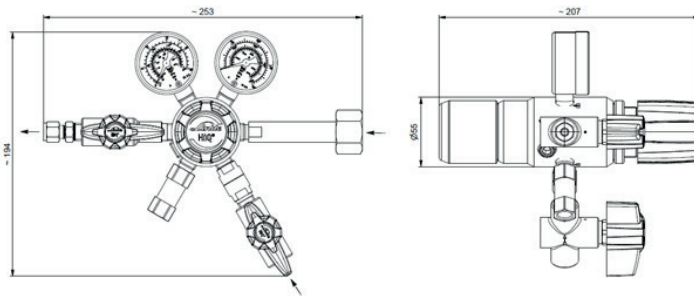


### VERSION TP | ZWEISTUFIG

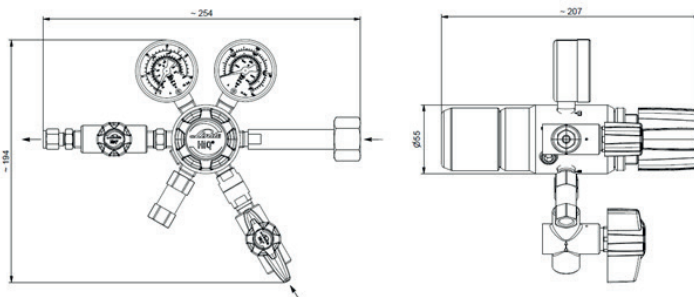


DE

### VERSION TPA | ZWEISTUFIG

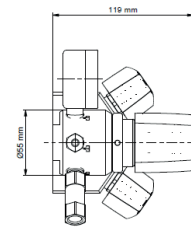
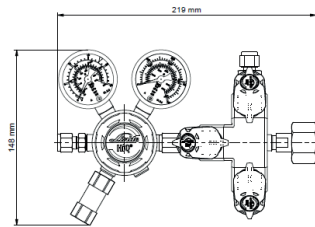


### VERSION TPB | ZWEISTUFIG

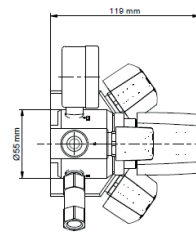
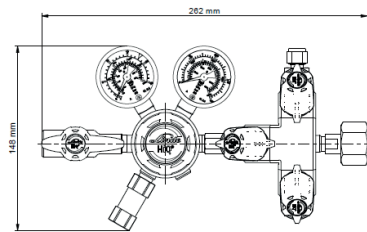


## VERSION EP | EINSTUFIG

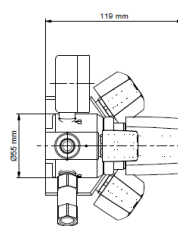
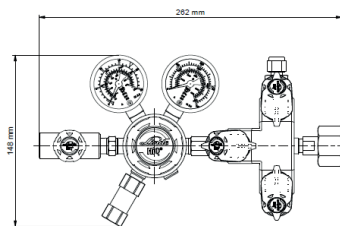
DE



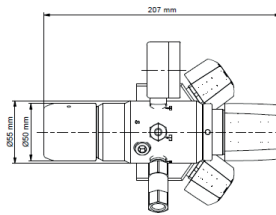
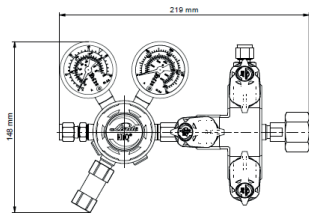
## VERSION EPA | EINSTUFIG



## VERSION EPBI EINSTUFIG

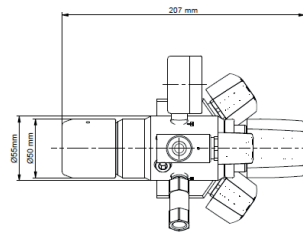
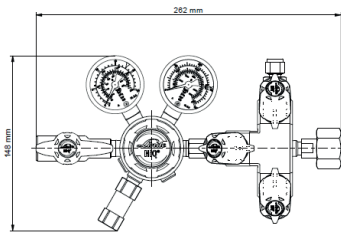


## VERSION EP | ZWEISTUFIG

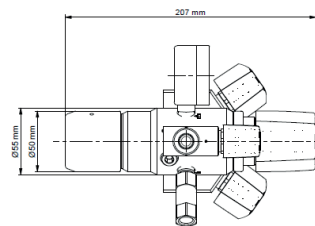
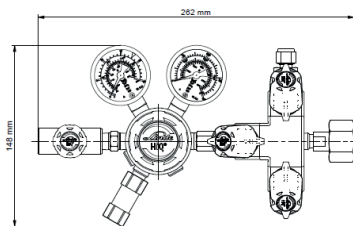


DE

## VERSION EPA | ZWEISTUFIG



## VERSION EPB | ZWEISTUFIG



### 3.4. ALLGEMEINE ANGABEN

Angabe	Einstufig   Messing verchromt	Zweistufig   Messing verchromt	Einstufig   Edelstahl	Zweistufig   Edelstahl
max. Gewicht[kg]	2,5	3,3	4,04	4,93
Länge [mm]	223	223	263	263
Breite [mm]	114	202	114	202
Höhe[mm]	168	168	168	168

DE

### 3.5. ANSCHLUSSWERTE

Angabe	Wert	Einheit
Eingang	DIN477 AFNOR BS CGA Etc.	Flaschenanschlüsse
Ausgang	1/8", 1/4", 3/8", 1/2" 3, 6, 8, 10, 12 4,8; 6,4; 8,0	Klemmringe zöllig Klemmringe mm Schlauchtülle mm (max. 15 bar)
Abblaseventil	1/4"	Klemmringe zöllig

### 3.6. LEISTUNGSWERTE

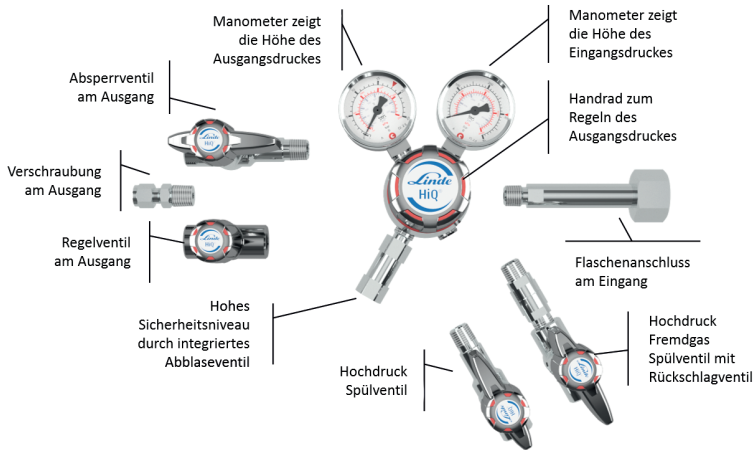
Angabe	Wert	Einheit
Nominaler Durchfluss (ISO 2503)	20 (Druckluft)	m³/h
Eingangsdruck (max.)	C300 - 300 bar C200 - 200 bar C60 - 60 bar	bar
Ausgangsdruck (max.)	200 (abh. vom Eingangsdruck)	bar

### 3.7. BETRIEBSBEDINGUNGEN UMGEBUNG

Angabe	Wert	Einheit
Temperaturbereich	-20 bis +60	°C
Relative Luftfeuchte (max.)	98	%

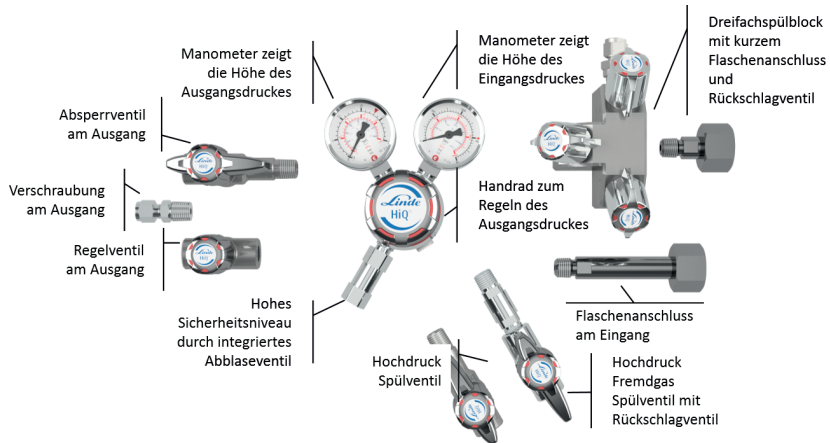
## 4. AUFBAU UND FUNKTION

### 4.1 MESSING VERCHROMTE VERSION



DE

### 4.2 EDELSTAHL VERSION



### 4.3 KURZBESCHREIBUNG

Die Bedienung des Flaschendruckreglers erfolgt manuell durch das Handrad. Abzulesen sind der Eingangs- und Ausgangsdruck jeweils auf dem Eingangs- bzw. Ausgangsmanometer. Verschiedene Zusatzkomponenten fließen in die Handhabung mit ein:

- Absperrventil am Ausgang zum Absperrn des Ausgangsdruckes.
- Regelventil am Ausgang zum Regeln des Ausgangsdruckes.
- Spülventil am Eingang zum Spülen der Eingangshochdruckseite und/oder zum Entlasten vor dem Flaschenwechsel.
- Fremdgas Spülventil mit Rückschlagventil zum Spülen der Eingangshochdruckseite.
- Dreifachspülblock am Eingang, zum Entfernen von Atmosphärenluft oder Freispülen bei Flaschenwechse.

## 5. TRANSPORT, VERPACKUNG UND LAGERUNG



### TIPPS UND EMPFEHLUNGEN!

- Die Installation und Erstinbetriebnahme erfolgt idealerweise durch Mitarbeiter des Herstellers oder durch von ihm autorisierte Personen.
- Dennoch kann es vorkommen, dass im Rahmen der Installation und der weiteren Nutzung Bediener oder Wartungspersonal des Betreibers mit der Handhabung von Packstücken betraut werden. Dabei die im Folgenden aufgeführten Hinweise unbedingt beachten.

DE

### 5.1 SICHERHEITSHINWEISE FÜR DEN TRANSPORT



#### HINWEIS!

- **Sachschäden durch unsachgemäßen Transport!**
- Bei unsachgemäßem Transport können Transportstücke fallen oder umstürzen. Dadurch können Sachschäden in erheblicher Höhe entstehen.
- Beim Abladen der Transportstücke bei Anlieferung sowie bei innerbetrieblichem Transport vorsichtig vorgehen und die Symbole und Hinweise auf der Verpackung beachten.
- Nur die vorgesehenen Anschlagpunkte verwenden.
- Verpackungen erst kurz vor der Montage entfernen.

### 5.2 TRANSPORT INSPEKTION

Die Lieferung bei Erhalt unverzüglich auf Vollständigkeit und Transportschäden prüfen.

*BEI ÄUSSERLICH ERKENNBAREM TRANSPORTSCHADEN WIE FOLGT VORGEHEN:*

- Lieferung nicht oder nur unter Vorbehalt entgegennehmen.
- Schadensumfang auf den Transportunterlagen oder auf dem Lieferschein des Transporteurs vermerken.
- Reklamation einleiten.



### TIPPS UND EMPFEHLUNGEN!

- Jeden Mangel reklamieren, sobald er erkannt ist. Schadensersatzansprüche können nur innerhalb des Gewährleistungszeitraums geltend gemacht werden.

### 5.3 VERPACKUNG

Die einzelnen Packstücke sind entsprechend den zu erwartenden Transportbedingungen verpackt. Für die Verpackung wurden ausschließlich umweltfreundliche Materialien verwendet.

Die Verpackung soll die einzelnen Bauteile bis zur Montage vor Transportschäden, Korrosion und anderen Beschädigungen schützen. Daher die Verpackung nicht zerstören und erst kurz vor der Montage entfernen.



#### HINWEIS!

- **Gefahr für die Umwelt durch falsche Entsorgung!**
- Verpackungsmaterialien sind wertvolle Rohstoffe und können in vielen Fällen weiter genutzt oder sinnvoll aufbereitet und wiederverwertet werden. Durch falsche Entsorgung von Verpackungsmaterialien können Gefahren für die Umwelt entstehen.
- Verpackungsmaterialien umweltgerecht entsorgen.
- Die örtlich geltenden Entsorgungsvorschriften beachten. Gegebenenfalls einen Fachbetrieb mit der Entsorgung beauftragen.

### 5.4 LAGERUNG

Packstücke unter folgenden Bedingungen lagern:

- Nicht im Freien aufbewahren.
- Trocken und staubfrei lagern.
- Keinen aggressiven Medien aussetzen.
- Vor Sonneneinstrahlung schützen.
- Mechanische Erschütterungen vermeiden.
- Lagertemperatur: 15 bis 35 °C.
- Relative Luftfeuchtigkeit: max. 60 %.
- Bei Lagerung länger als 3 Monate regelmäßig den allgemeinen Zustand aller Teile und der Verpackung kontrollieren. Falls erforderlich, die Konservierung auffrischen oder erneuern.





## TIPPS UND EMPFEHLUNGEN!

- Unter Umständen befinden sich auf den Packstücken Hinweise zur Lagerung, die über die hier genannten Anforderungen hinausgehen. Diese entsprechend einhalten.

## 6. INSTALLATION UND ERSTINBETRIEBNAHME

### 6.1 SICHERHEITSHINWEISE FÜR DIE INSTALLATION UND ERSTINBETRIEBNAHME

#### PERSONAL

Die Installation und Erstinbetriebnahme darf nur von qualifiziertem Personal durchgeführt werden.

DE

### 6.2 VORBEREITUNGEN

#### ENTPACKEN

- Die Komponenten müssen vorsichtig und umsichtig entpackt werden.
- Zusätzliche Verpackungsmaterialien ebenfalls entfernen.
- Alle Komponenten auf etwaige Transportschäden hin untersuchen

#### ENTLASTEN

- Gasdruck in eventuell bestehenden Anlagen entlasten, ggf. mit Inertgas spülen
- Rohrleitung in eventuell bestehenden Anlagen mit Spezialwerkzeug trennen, dabei Späne vermeiden
- Auf einwandfreien Zustand und Reinheit der Anschlusssteile achten

### 6.3 INSTALLATION

Verwenden Sie nur Druckminderer mit Flaschenanschluss gemäß den verschiedenen Gasen und den nationalen und internationale Richtlinien (DIN477, CGA, AFNOR, etc.).



#### GEFAHR!

- Gewinde von Flaschenventil und Überwurfmutter müssen in einwandfreiem Zustand sein.



#### WARNUNG!

- Immer nur neue Dichtungen verwenden. Dichtungen dürfen nicht deformiert sein und keine Spuren von Schmutz oder Metallspänen aufweisen.
- Die Verwendung von mehreren Dichtungen an einer Dichtstelle ist nicht zulässig.
- Benutzte Dichtungen müssen entfernt werden.



#### WARNUNG!

- Keine Schlüsselverlängerung benutzen, da sonst Gewinde und Dichtung zerstört werden können. Dies kann zu Leckagen, unkontrolliertem Gasaustritt oder vollständigem Ausströmen des Gasvorrats führen



#### WARNUNG!

- Beim Anschließen oder Wechseln der Flaschen mit giftigen oder ätzenden Gasen sind entsprechende Personenschutzmaßnahmen zu treffen (Atemschutz, Augenschutz und Schutzkleidung).
- MAK-Werte (siehe Technische Regeln für Gefahrenstoffe, TGRS 900) beachten, richtige Atemschutzfilter bereithalten. Ausschließlich Flaschendruckregler mit Spüleinrichtung verwenden.



#### VORSICHT!

- Vor dem Anschließen muss an Hand des Typenschildes überprüft werden, ob die vorliegende Armatur für den vorgesehenen Verwendungszweck geeignet ist.

#### 6.3.1. VORBEREITUNG

Es dürfen nur Druckregler mit Flaschenanschlüssen der jeweiligen Norm (DIN477, CGA, AFNOR, etc.) entsprechend der eingesetzten Gasart verwendet werden.

### 6.3.2. ANSCHLIESSEN DER GASFLASCHE

Dem jeweiligen Flaschenanschluss und der Gasart entsprechende Dichtung einlegen.

Überwurfmutter erst von Hand auf den Ventilanschluss an der Flasche aufschrauben.

Auf Rechts- und Linksgewinde achten!

Den Druckregler ansetzen – nicht verkanten!

Die Überwurfmutter mit dem passenden Gabelschlüssel festziehen. Achtung, keine Schlüsselverlängerung verwenden, da sonst das Gewinde und die Dichtung zerstört werden können. Dies kann zu Leckagen und unkontrolliertem Ausströmen des Gasvorrats führen (vollständiger Gasverlust!).

Bei Flaschenanschlüssen mit **Handanschluss** die Überwurfmutter handfest anziehen.

Achtung, keine Schlüssel verwenden, da sonst die Grifffläche zerstört werden kann.

DE



Die Anschlussleitungen werden üblicherweise mit Klemmringverschraubungen montiert. Zuerst werden die Verschlusskappen von den Anschlüssen entfernt. Die Montage erfolgt durch das vollständige Einfügen der Rohrleitung in die Klemmringverschraubung. Dann die Überwurfmutter mit der Hand aufschrauben und mit einem Gabelschlüssel (erste Installation 1 1/4 Umdrehungen für Rohrleitungen größer als 1/8 Zoll und 3/4 Umdrehungen für Rohrleitungen mit 1/8 Zoll oder kleiner, Wiederinstallation 1/4 Umdrehungen für alle Rohrleitungen) fest anziehen. Die Abblaseleitung wird auf dieselbe Weise am Abblaseventil angeschlossen.

Bitte beachten Sie die Hinweise der Hersteller, sowie die Eignung der Werkstoffe für bestimmte Gase und Druckbereiche.

Der Flaschendruckregler ist bei einem maximalen Ausgangsdruck von 15 bar mit Schlauchtülle erhältlich. Durch die kegelförmige Form der Tülle lässt sich der Schlauch einfach aufstecken.

#### **Version P, mit Eigengas Spülventil**

Bei Flaschendruckreglern der Version mit Spülventil (P) muss ggf. zusätzlich eine Anschlussleitung für das Abgas wie oben beschrieben angeschlossen werden.

#### **Version DP mit Ausgangsspülventil**

Bei Flaschendruckreglern der Version mit Ausgangsspülventil (DP) muss ggf. zusätzlich eine Anschlussleitung für das Abgas wie oben beschrieben angeschlossen werden.

#### **Version TP, TPA, TPB, mit Fremdgas Spülventil**

Bei Flaschendruckreglern mit Fremdgas Spülventil (TP, TPA, TPB) muss zusätzlich eine Anschlussleitung für das Fremdgas wie oben beschrieben angeschlossen werden.

#### **Version EP, EPA und EPB mit Dreifachspülblock**

Bei Flaschendruckreglern aus Edelstahl der Version mit Dreifachspülblock (EP, EPA und EPB) müssen zusätzlich Anschlussleitungen am Eingang und Ausgang des Dreifachspülblocks wie oben beschrieben angeschlossen werden.

## 6.4 VORAUSSETZUNG ZUR ERSTINBETRIEBNAHME

- Die Prüfprotokolle der Leitungssysteme hinsichtlich der Dichtheit, wenn gefordert auch Feuchte und Partikel, liegen vor.
- Prozessgasschläuche, Entlüftungs- und Spülgasschläuche, Sicherheitsventil- und Rückschlagventilschläuche, falls vorhanden, müssen angeschlossen sein.
- In der Prozessgasleitung ist nur Standardgas. (siehe Punkt 1.2)
- Die Inbetriebnahme darf nur durch eingewiesenes Fachpersonal erfolgen.
- Nutzen Sie nur funkenfreies Werkzeug und stellen Sie es vor der Installation bereit.
- Es ist den Vorschriften entsprechende Schutzkleidung zu tragen.
- Überprüfen Sie vor Erstinbetriebnahme anhand des Typenschildes, ob der vorliegende Flaschendruckminderer für den vorgesehenen Verwendungszweck geeignet ist (Gas, Druck, Werkstoff, etc.)
- Bei Verwendung von ätzenden, giftigen Gasen und den Edelstahl Flaschendruckminderer **Version TP, TPA, TPB, EP, EPA und/ oder EPB**, ist vor der Inbetriebnahme eine Spülung mit Fremdgasspülung mit inertem Gas durchzuführen (siehe Punkt 6.5.2).

## 6.5 ERSTINBETRIEBNAHME

- Alle Voraussetzungen sind gemäß Punkt 6.4 erfüllt
- Flaschendruckregler ist entspannt (geschlossen), d.h. das Handrad ist ganz herausgedreht (nach links)
- Wenn korrosives und/ oder giftiges Gas und die Edelstahlversion **TP, TPA, TPB, EP, EPA und/ oder EPB** des Flaschendruckreglers verwendet wird, muss vor der Erstinbetriebnahme eine Spülung mit Inertgas durchgeführt werden (siehe Punkt 6.5.2).



### WARNUNG!

- Es ist unbedingt darauf zu achten, dass der Flaschendruckregler nicht über den zulässigen Betriebsdruck hinaus mit Druck beaufschlagt wird.

### 6.5.1. FÜLLEN DER PROZESSGASLEITUNG MIT PROZESSGAS

Gewünschten Ausgangsdruck durch langsames Drehen des Druckregler-Handrades im Uhrzeigersinn einstellen.

Der Flaschendruckregler ist nun in Betrieb. Es wird empfohlen den Druckregler täglich zu kontrollieren und die Drücke zu überprüfen

### 6.5.2. FLASCHENWECHSEL

Wenn korrosives und/ oder giftiges Gas und die Edelstahlversion **TP, TPA, TPB, EP, EPA und/ oder EPB** des Flaschendruckreglers verwendet wird, muss vor dem Flaschenwechsel eine Spülung mit Inertgas durchgeführt werden (siehe Punkt 6.5.2).



### HINWEIS!

- Für die Fremdgasspülung mit Inert Gas trockenes, sauberes Spülgas verwenden. Wir empfehlen eine Gasreinheit, die der Anwendung entspricht.



### WARNUNG!

- Beim Wechseln der Flaschen mit giftigen, ätzenden Gasen sind entsprechende Personenschutzmaßnahmen zu treffen (Atenschutz, Augenschutz, Schutzkleidung. MAK-Werte (siehe Technische Regeln für Gefahrstoffe, TRGS 900) beachten, richtige Atemschutzfilter bereithalten.



### GEFAHR!

- Wurden aus der Druckgasflasche giftige und/ oder ätzende Gase entnommen, ist vor dem Auswechseln der leeren Flasche das druckführende Gerät mit inertem Gas zu spülen (Fremdgasspülung). Damit wird erreicht, dass das im System befindliche Restgas durch die Spülabgasleitung entsorgt wird

### VORBEREITUNG

1. Gasflaschenventil fest schließen
2. Druckregler restlos entleeren, Zeiger von Eingangs- und Ausgangsdruckmanometer müssen beide auf „0“ stehen
3. Handrad des Druckreglers bis zum Anschlag gegen Uhrzeigersinn drehen, Druckregler geschlossen
4. Ausgangsabsper- oder Regelventil schließen, wenn vorhanden
5. Bei den Versionen **P, TP, TPA, TPB, EP, EPA und/ oder EPB** zuerst Spül- oder Entlastungsvorgang durchführen

## EIGENGASSPÜLUNG/ ENTLASTUNGSVORGANG

### Spülvorgang bei Flaschendruckminderern mit Spül-/Entlastungsventil (P)

Überprüfen, ob Spülgasleitung ordnungsgemäß an Eingangsspülventil angeschlossen ist. Spülventil öffnen und gleich wieder schließen um Flaschenanschluss zu entlasten.

### Spülvorgang bei Flaschendruckminderern mit Ausgangsspülventil (DP)

Überprüfen, ob Spülgasleitung ordnungsgemäß an Eingangsspülventil angeschlossen ist. Spülventil öffnen und gleich wieder schließen um Flaschenanschluss zu entlasten.

## FREMDGASSPÜLUNG

### Spülvorgang bei Flaschendruckreglern mit Fremdgas Spülventil auf der Hochdruckseite (TP, TPA, TPB)

**A** Überprüfen, ob Spülgaseingang und Prozessgasausgang ordnungsgemäß angeschlossen sind

**B** Alle Ventile schließen

**C** Druckregler durch Drehen des Handrades gegen den Uhrzeigersinn schließen

**D** Fremdgasspülventil öffnen

**E** Fremdgasspülventil schließen

**F** Druckregler und Ausgangsabsper- oder Ausgangsregelventil kurz öffnen und Spülgas durch den Flaschendruckreglerausgang entweichen lassen

**G** Flaschendruckregler und Ausgangsabsper- oder Ausgangsregelventil schließen

Die Schritte D – G für ein einwandfreies Spülergebnis bitte zehnmal wiederholen.

6. Überwurfmutter an der Gasflasche mit Schraubenschlüssel lösen. Bei einem Flaschenanschluss mit **Handanschluss, Überwurfmutter per Hand lösen.**

7. Neue Flaschen wie oben beschrieben (Punkt 6.3.1) anschließen.

## FREMDGASSPÜLUNG

### Spülvorgang bei Flaschendruckminderer mit Dreifachspülblock (EP, EPA, EPB)

**A** Überprüfen, ob Spülgaseingang, Spülgasausgang und Prozessgaseingang ordnungsgemäß angeschlossen sind.

**B** Alle Ventile schließen. Die Ventile auf dem Dreifachspülblock müssen quer zur Rohrleitung stehen. Bei den weiteren Ventilen ist die rote Markierung sichtbar (4-Port).

**C** Druckregler durch Drehen des Handrades gegen den Uhrzeigersinn schließen.

**D** Eingangs Fremdgasspülventil öffnen.

**E** Eingangs Fremdgasspülventil wieder schließen. Das eingeströmte Gas einige Sekunden im Dreifachspülblock verweilen lassen.

**F** Ausgangs Fremdgasspülventil kurz öffnen und Spülgas entweichen lassen.

**G** Ausgangs Fremdgasspülventil wieder schließen.

Die Schritte D – G für ein einwandfreies Spülergebnis bitte zehnmal wiederholen.

## 6.5.3. AUSSERBETRIEBNAHME

Wenn korrosives und/ oder giftiges Gas und die Edelstahlversion **TP, TPA, TPB, EP, EPA und/ oder EPB**

des Flaschendruckreglers verwendet wird, muss vor der Außerbetriebnahme eine Spülung mit Inertgas durchgeführt werden (siehe Punkt 6.5.2).



### VORSICHT!

- Bei Ausbau generell beachten: Druckregler und Leitungen durch Ableiten des Gases über den Verbraucher entspannen, Zeiger von Vor- und Hinterdruckmanometer müssen vollständig auf „0“ stehen.
  - Bei ätzenden bzw. giftigen Gasen alle Komponenten mit Inertgas spülen.
  - Entsprechende Personenschutzmaßnahmen treffen (Atemschutz, Augenschutz und Schutzkleidung).
  - MAK-Werte (siehe Technische Regeln für Gefahrenstoffe, TGRS 900) beachten, richtige Atemschutzfilter bereithalten.
1. Gasflaschenventil fest schließen
  2. Druckregler restlos entleeren, Zeiger von Eingangs- und Ausgangsdruckmanometer müssen beide auf „0“ stehen
  3. Handrad des Druckreglers bis zum Anschlag gegen Uhrzeigersinn drehen, Druckregler geschlossen
  4. Ausgangsabsper- oder Regelventil schließen, wenn vorhanden
  5. Bei den Versionen **P, DP, TP, TPA, TPB, EP, EPA und/ oder EPB** zuerst Spül- oder Entlastungsvorgang durchführen (siehe Punkt 6.5.2)
    - Durch Drehen des Druckregler-Handrades gegen den Uhrzeigersinn den Flaschendruckregler schließen.
    - Rohrleitung entspannen!
    - Der Flaschendruckregler ist nun außer Betrieb. Es können jetzt Reparatur- und Wartungsarbeiten durchgeführt werden.

## 6.6 PRÜFUNGEN

- Nach der Druckbeaufschlagung die Funktion des Druckreglers überprüfen.
- Dichtigkeit des Abblaseventils überprüfen.

## 7. BETRIEB

Gemäß Kapitel 2.1 ist der Betrieb der Flaschendruckregler für Standardgase definiert.



### VORSICHT!

- Handventile müssen immer langsam und vorsichtig geöffnet werden, um Druckstöße im System zu vermeiden und andere Komponenten zu schützen.

DE

Für eine kurzzeitige Unterbrechung der Gasentnahme genügt es, das Absperr- oder Regelventil am Regler zu schließen. Bei längerer Unterbrechung muss der Regler durch Drehen des Handrades gegen den Uhrzeigersinn drucklos gemacht werden. Schließen Sie aus Sicherheitsgründen das Flaschenventil

## 8. WARTUNG

### 8.1 SICHERHEITSHINWEISE FÜR DIE WARTUNG



#### HINWEIS!

Wartungsarbeiten dürfen nur von qualifiziertem, geschultem und autorisiertem Personal durchgeführt werden. (siehe Kapitel 2.4).

### 8.2 WARTUNGSPLAN

In den nachstehenden Abschnitten sind die Wartungsarbeiten beschrieben, die für einen optimalen und störungsfreien Betrieb des Geräts erforderlich sind.

Sofern bei regelmäßigen Kontrollen eine erhöhte Abnutzung zu erkennen ist, die erforderlichen Wartungsintervalle entsprechend den tatsächlichen Verschleißerscheinungen verkürzen.



#### HINWEIS!

- Bei jeglichen Fragen bezüglich Wartungsarbeiten und Wartungsintervallen kontaktieren Sie den Kundenservice.

Intervall	Wartungsarbeit	Personal
Wöchentlich	Alle Komponenten visuell überprüfen	Befähigte Person (TRBS 1203)
Einmal jährlich	Betriebsprüfung auf Funktion und Dichtigkeit, Prüfung aller sicherheitsrelevanten Teile	Befähigte Person (TRBS 1203)
Alle 10 Jahre	Generalüberholung und Austausch aller Verschleißteile	Befähigte Person (TRBS 1203)

### 8.3 WARTUNGSARBEITEN

#### 8.3.1. REINIGUNG



#### HINWEIS!

- Reinigungsmittel müssen mit den Materialien, mit denen sie in Berührung kommen, verträglich sein.

### 8.3.2. VORAUSSETZUNG ZUR WARTUNG

VOR BEGINN DER WARTUNG IST ZU PRÜFEN, DASS

- Die Gasversorgung unterbrochen und sichergestellt ist.
- Die Entspannungsstation drucklos ist.
- Der Druckregler entspannt ist.
- Das Ventil geschlossen ist.
- Sich kein Prozessgas mehr im System befindet.
- Das System mit einem Inertgas freigespült wurde.

### 8.3.3. NOTWENDIGE WARTUNGSLEISTUNG

- Prüfung der Anzeigegegenauigkeit des Anzeigewertes bei Druckanzeigen.
- Entspannungsstation, Druckregler, Ventile und Druckanzeigen: Zustand auf Funktion, Zustand und Kennzeichnung prüfen.
- Prüfung der Kennzeichnung.
- Prüfung auf Korrosion.
- Prüfung der Funktion.
- Dichtheitsprüfung mit 1-fachem Betriebsdruck über 12 Stunden ausführen.
- Verschlissene und defekte Bauteile sind sofort auszutauschen, mit diesen Arbeiten ist in jedem Fall ein autorisiertes Fachunternehmen zu beauftragen.
- Das Design der Ventile erfolgte gemäß ISO 10297. Darin enthalten ist ein Typtest, bei dem das Ventil einem Lebensdauerstest von bis zu 2000 Zyklen unterzogen wurde. Nach 2000 Zyklen medienberührte Innenteile austauschen, mit diesen Arbeiten ist in jedem Fall ein autorisiertes Fachunternehmen zu beauftragen.
- Sollten Undichtigkeiten oder übermäßige Korrosion an Entspannungsstationen/ Druckregler oder Ventil festgestellt werden, so sind diese komplett zwischen der nächstmöglichen lösbaren Verbindung ebenfalls durch ein autorisiertes Fachunternehmen auszutauschen.
- Nach dem Wechsel von Komponenten oder Rohrleitungsbaugruppen sind erneut Drucktest auszuführen und zu protokollieren.

## 8.4 MASSNAHMEN NACH ERFOLGTER WARTUNG

Nach Beendigung der Wartungsarbeiten und vor Neuinbetriebnahme der Entspannungsstation, des Druckregler oder des Ventils die Folgenden Schritte durchführen

1. Sicherstellen, dass alle verwendeten Werkzeuge, Materialien und sonstige Ausrüstungen aus dem Arbeitsbereich entfernt wurden.
2. Arbeitsbereich säubern und eventuell ausgetretene Stoffe wie z. B. Flüssigkeiten, Verarbeitungsmaterial oder Ähnliches entfernen.
3. Sicherstellen, dass alle Sicherheitseinrichtungen des Systems einwandfrei funktionieren.

## 9. STÖRUNGEN

Im folgenden Kapitel sind mögliche Ursachen für Störungen und die Arbeiten zu ihrer Beseitigung beschrieben. Bei vermehrt auftretenden Störungen müssen die Wartungsintervalle entsprechend der tatsächlichen Belastung verkürzt werden. Bei Störungen, die durch die nachfolgenden Hinweise nicht zu beheben sind, den Hersteller kontaktieren.

### 9.1 SICHERHEITSHINWEISE FÜR DIE STÖRUNGSBEHEBUNG

Bei Störungen grundsätzlich die Gasversorgung unterbrechen, den Druckregler entspannen und Ventile schließen. Keinesfalls Wartungsarbeiten an Bauteilen unter Druck durchführen.

VERHALTEN BEI STÖRUNGEN:


1. Gasversorgung unterbrechen und sicherstellen.
2. Druckregler entspannen, Ventile schließen.
3. Nur qualifiziertes Personal darf Störungen beseitigen.
4. Ausgangszustand des Geräts wiederherstellen.

Beschreibung	Ursache	Lösung	Ventile	Flaschen- druckregler	Leitungs- druckregler	Entspannungs- stationen
Kein Durchfluss (Eingangsmannometer zeigt Druck an, Ausgangsmannometer nicht)	Druckregler geschlossen	Druckregler langsam öffnen Spülventil schließen		<input checked="" type="checkbox"/>	<input checked="" type="checkbox"/>	<input checked="" type="checkbox"/>
Kein Durchfluss (beide Manometer zeigen Null)	Flaschenventil geschlossen Brauchgasventil geschlossen Druckregler geschlossen Wendel/ Schlauch nicht angeschlossen	Inbetriebnahme gemäß Punkt 6. Installation und Erstinbetriebnahme		<input checked="" type="checkbox"/>	<input checked="" type="checkbox"/>	<input checked="" type="checkbox"/>
Kein Durchfluss	Druckregler geschlossen	Druckregler langsam öffnen	<input checked="" type="checkbox"/>			
Hinterdruckanstieg & Abblaseventil öffnet	Leckage im Druckreglersitz	Reparatur durch Hersteller		<input checked="" type="checkbox"/>	<input checked="" type="checkbox"/>	<input checked="" type="checkbox"/>
Leichter Hinterdruckanstieg & Abblaseventil öffnet nicht	Vordruckabfall	Kein Fehler, normaler Betriebszustand		<input checked="" type="checkbox"/>	<input checked="" type="checkbox"/>	<input checked="" type="checkbox"/>
Leichter Hinterdruckanstieg	Unterschied zwischen Fließdruck (mit Durchfluss) und Staudruck (kein Durchfluss)	Kein Fehler, normaler Betriebszustand		<input checked="" type="checkbox"/>	<input checked="" type="checkbox"/>	<input checked="" type="checkbox"/>
Leichter Hinterdruckabfall	Unterschied zwischen Staudruck (kein Durchfluss) und Fließdruck (mit Durchfluss)	Kein Fehler, normaler Betriebszustand		<input checked="" type="checkbox"/>	<input checked="" type="checkbox"/>	<input checked="" type="checkbox"/>

DE

Beschreibung	Ursache	Lösung	Ventile	Flaschen- druckregler	Leitungs- druckregler	Entspannungs- stationen
Starker Hinterdruckabfall	Erforderlichen Durchfluss für Druckregler zu groß	Auswahl eines neuen Druckreglers für geforderten Druck & Durchfluss		<input checked="" type="checkbox"/>	<input checked="" type="checkbox"/>	<input checked="" type="checkbox"/>
Starker Hinterdruckabfall	Undichte Prozessgasleitung	Prozessgasleitung überprüfen		<input checked="" type="checkbox"/>	<input checked="" type="checkbox"/>	<input checked="" type="checkbox"/>
Ausgangsdruck zu hoch	Falsche Regler Einstellung	Druckregler einstellen anpassen, nachregeln, Wartung		<input checked="" type="checkbox"/>	<input checked="" type="checkbox"/>	<input checked="" type="checkbox"/>
Hinterdruck steigt sofort bis Anschlag an oder Hinterdruck steigt langsam über den eingestellten Wert hinaus an & Abblaseventil bläst ab	Verschmutzung oder Beschädigung des Sitzes „Steiger“	Reparatur durch Hersteller		<input checked="" type="checkbox"/>	<input checked="" type="checkbox"/>	<input checked="" type="checkbox"/>
Geräusche während des Betriebes	Erforderlicher Durchfluss für Druckregler zu hoch	Auswahl eines neuen Druckreglers für geforderten Druck & Durchfluss		<input checked="" type="checkbox"/>	<input checked="" type="checkbox"/>	<input checked="" type="checkbox"/>
Keine Veränderung der Ventilsteuerung trotz drehen des Handrades	Handrad defekt durch zu hohes Drehmoment, Spindel defekt, Gewinde defekt	Reparatur durch Hersteller	<input checked="" type="checkbox"/>	<input checked="" type="checkbox"/>	<input checked="" type="checkbox"/>	<input checked="" type="checkbox"/>
Feuchtigkeit auf Druckregler (KEIN Tau, Regen oder Schnee)	Druckregler entzieht der Umwelt Energie durch Gasentspannung	Kein Fehler Normaler Betriebszustand		<input checked="" type="checkbox"/>	<input checked="" type="checkbox"/>	<input checked="" type="checkbox"/>



Beschreibung	Ursache	Lösung	Ventile	Flaschen- druckregler	Leitungs- druckregler	Entspannungs- stationen
 Eisbildung auf Druckregler (KEIN Tau, Regen oder Schnee)	Druckregler entzieht der Umwelt Energie durch Gasentspannung, limitierte Lieferung der Druckgasbehälter z. Bsp. bei N <sub>2</sub> O, CO <sub>2</sub>	Kein Fehler Normaler Betriebszustand <b>ACHTUNG:</b> auf Funktionalität der Kontaktmanometer achten, Anzahl der Druckgasbehälter erhöhen		☑	☑	☑

DE

Diese Tabelle erhebt keinen Anspruch auf Vollständigkeit. Bei Fragen und Unklarheiten kontaktieren Sie bitte den Hersteller.

## 10. DEMONTAGE UND ENTSORGUNG

Nachdem das Gebrauchsende des Geräts erreicht ist, muss das Gerät demontiert und einer umweltgerechten Entsorgung zugeführt werden.

### 10.1 SICHERHEITSHINWEISE FÜR DIE DEMONTAGE UND ENTSORGUNG

#### WARNUNG!



- **Verletzungsgefahr bei unsachgemäßer Demontage!**
- Gespeicherte Restenergien, kantige Bauteile, Spitzen und Ecken am und im Gerät oder an den benötigten Werkzeugen können Verletzungen verursachen.
- Vor Beginn der Arbeiten für ausreichenden Platz sorgen.
- Mit offenen scharfkantigen Bauteilen vorsichtig umgehen.
- Auf Ordnung und Sauberkeit am Arbeitsplatz achten!
- Lose aufeinander- oder umherliegende Bauteile und Werkzeuge sind Unfallquellen.
- Bauteile fachgerecht demontieren. Teilweise hohes Eigengewicht der Bauteile beachten. Falls erforderlich, Hebezeuge einsetzen.
- Bauteile sichern, damit sie nicht herabfallen oder umstürzen.
- Bei Unklarheiten den Hersteller hinzuziehen.

### 10.2 DEMONTAGE

#### VOR BEGINN DER DEMONTAGE

Flaschendruckregler durch Drehen des Handrades gegen den Uhrzeigersinn schließen.

Flaschendruckregler entspannen und sicherstellen, dass sich kein Prozessgas mehr im Inneren befindet.

System entspannen und wenn nötig mit einem Inertgas spülen.

Betriebs- und Hilfsstoffe sowie restliche Verarbeitungsmaterialien entfernen und umweltgerecht entsorgen.

Anschließend Baugruppen und Bauteile fachgerecht reinigen und unter Beachtung geltender örtlicher Arbeitsschutz- und Umweltschutzvorschriften zerlegen.

#### WARNUNG!

- **System nicht öffnen, wenn sich noch giftiges und/ oder korrosives Gas darin befindet!**

### 10.3 ENTSORGUNG

Sofern keine Rücknahme- oder Entsorgungsvereinbarung getroffen wurde, zerlegte Bestandteile der Wiederverwertung zuführen:

Metalle verschrotten.

Kunststoffelemente zum Recycling geben.

Übrige Komponenten nach Materialbeschaffenheit sortiert entsorgen.

Gemäß dem Artikel 33 der REACH-Verordnung verpflichtet sich die Gesellschaft GCE, s.r.o. als verantwortungsbewusster Hersteller, alle Kunden darüber zu informieren, wenn die Materialien 0,1% oder mehr der auf der Liste aufgeführten besonders besorgniserregenden Stoffe (SVHC) enthalten.

Die am häufigsten für Körper und andere Messingbauteile verwendeten Messinglegierungen enthalten 2-3% Blei (Pb), EG-Nr. 231-468-6, CAS-Nr. 7439-92-1. Bei normalem Gebrauch wird Blei nicht in das Gas oder in die Umwelt freigesetzt. Am Ende seiner Lebensdauer muss das Erzeugnis von einem zugelassenen Metallrecyclingunternehmen entsorgt werden, um eine wirksame Entsorgung des Materials bei minimalen Auswirkungen auf Umwelt und Gesundheit zu gewährleisten.

Bis zum heutigen Tag liegen uns keine Informationen vor, die darauf hindeuten, dass Materialien mit SVHC-Konzentrationen über 0,1% in GCE-Produkten enthalten sind.

DE



#### HINWEIS!

- ***Gefahr für die Umwelt durch falsche Entsorgung!***
- Durch falsche Entsorgung können Gefahren für die Umwelt entstehen.
- Elektroschrott, Elektronikkomponenten, Schmier- und andere Hilfsstoffe von zugelassenen Fachbetrieben entsorgen lassen.
- Im Zweifel Auskunft zur umweltgerechten Entsorgung bei der örtlichen Kommunalbehörde oder speziellen Entsorgungsfachbetrieben einholen.

[www.linde.com](http://www.linde.com)

Diese Artikel wurden im Auftrag von Linde hergestellt.



## Multi-Language Version



[http://hiq.linde-gas.com/en/specialty\\_equipment/redline\\_instruction\\_for\\_use/index.html](http://hiq.linde-gas.com/en/specialty_equipment/redline_instruction_for_use/index.html)



[www.linde.com](http://www.linde.com)

Doc. Nr.: IFU-CXLHX-LIN; DOI: 2021-11-24; Rev.:03; TI: A5, CB, V1